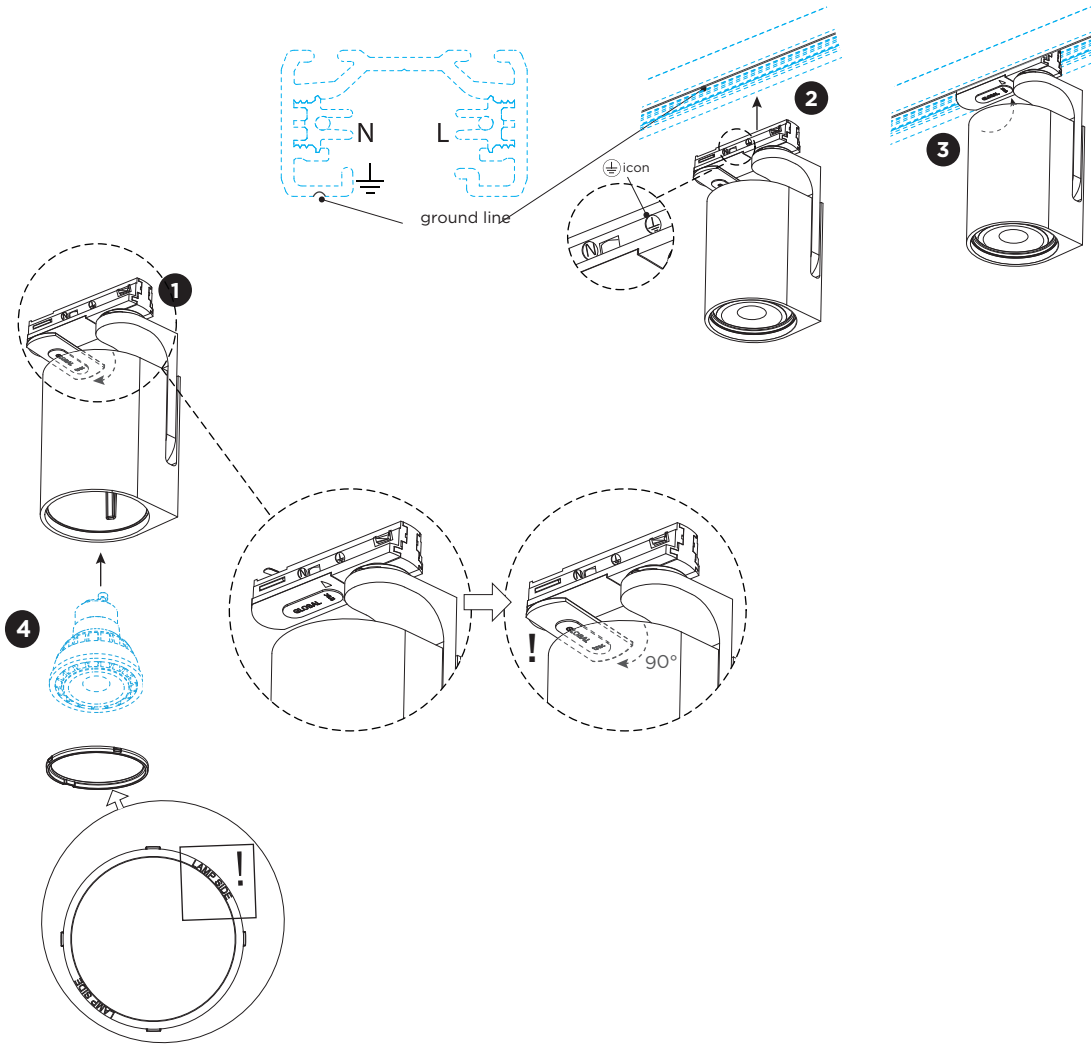
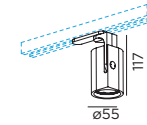


SQUBE 1.0 on track (1-phase)

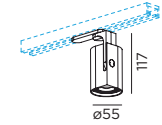
INSTALLATION INSTRUCTIONS | APRIL 2022



DIMENSIONS



1.0 LED



1.0 PAR16

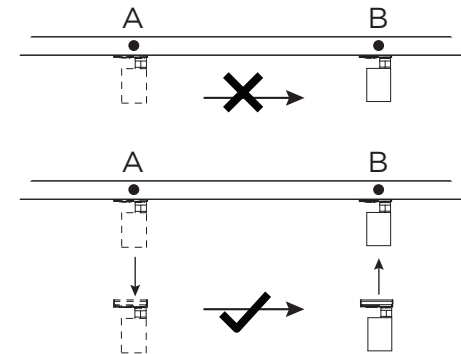
MOUNTING INSTRUCTION

- 1 Turn the adapter's handle 90° as illustrated.
- 2 Push the adapter into the track. Make sure the ⊕ icon on the inside of the adapter is faced towards the track side with the **ground line** craved in it.
- 3 Turn the handle back into the original position to lock the adapter in the track.
- 4 For PAR16: mount the lamp into the fixture.



WARNING

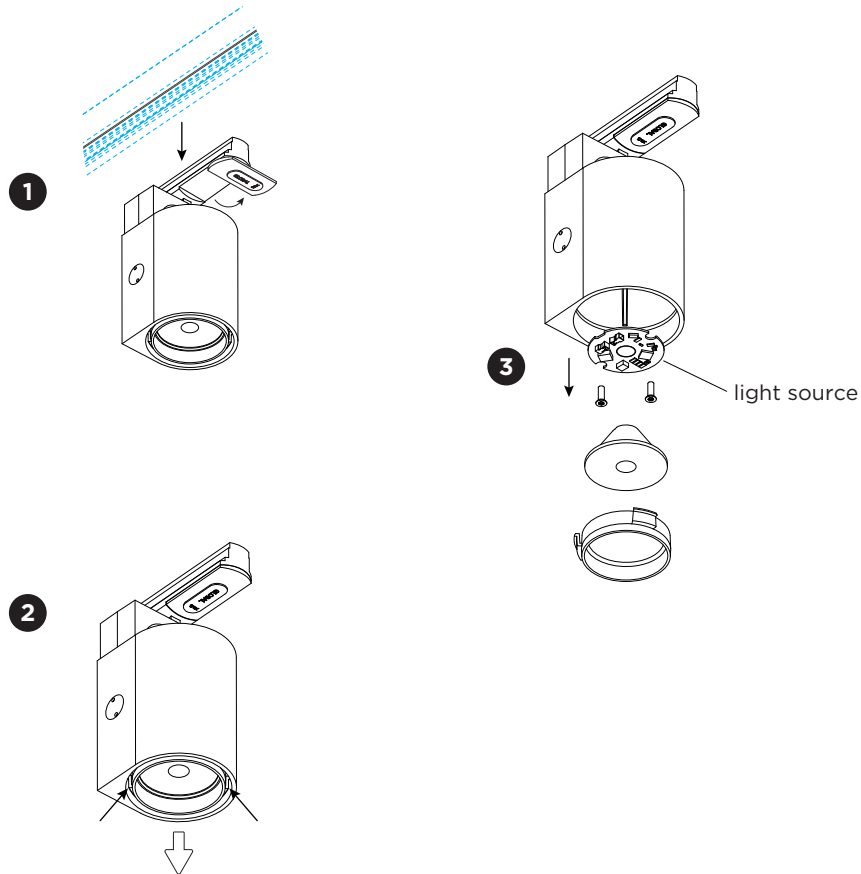
Note: the fixture is not allowed to slide in the track. If you want to change location of the fixture in the track, please unlock the fixture from the track and install it on the correct position.



PB19-010-439-00_v3

SQUBE 1.0 on track (1-phase)

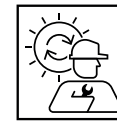
INSTALLATION INSTRUCTIONS | APRIL 2022



DISMOUNTING INSTRUCTION

Light source

- 1 Remove the fixture from the track.
- 2 Push on the sides of the plastic ring and pull it out.
- 3 Take the lens out and unscrew the light source.



To replace the light source please contact your W&D customer service.



This luminaire contains a light source with the energy class F.