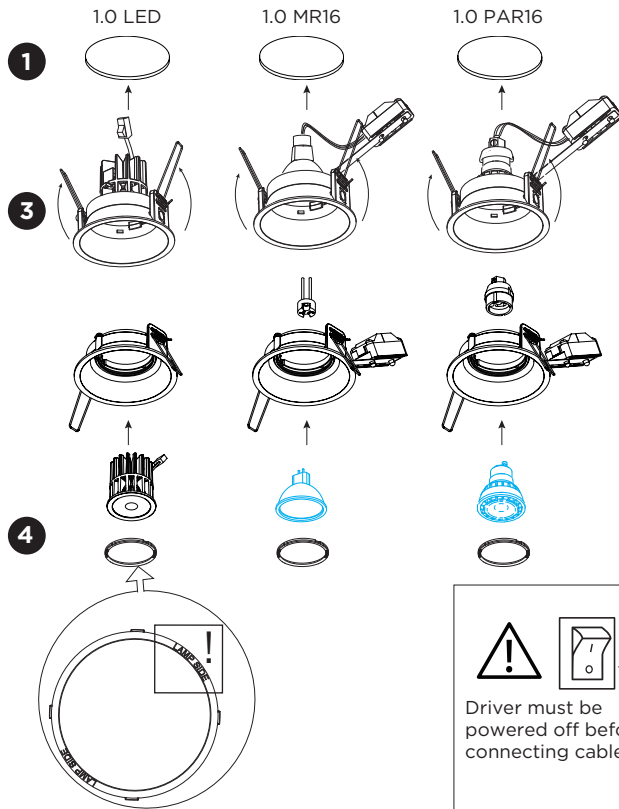


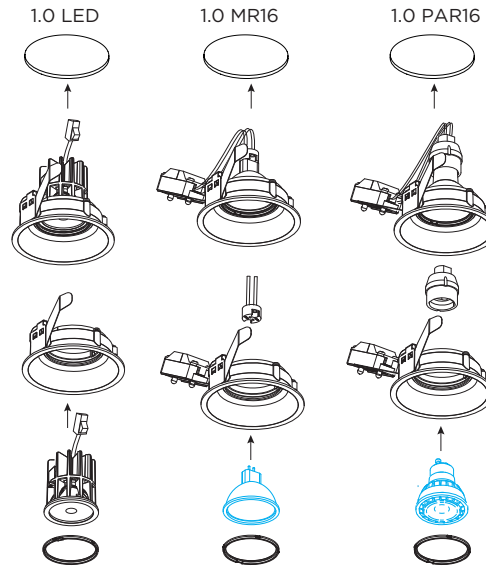
DEEP ADJUST 1.0

INSTALLATION INSTRUCTIONS | FEBRUARY 2023

with wire springs:



with blade springs:



⚠ Driver must be powered off before connecting cables.

Before connecting the luminaire/LED module to the driver please make sure the driver is not powered but disconnected from the mains. The driver can only be powered when the luminaire/LED module is already connected. Disregarding this instruction might damage or even destroy the luminaire/LED module.

- 3** for wire springs: Push the springs up and insert the fixture in the ceiling hole.
for blade springs: Push the springs towards the luminaire when inserting the fixture in the ceiling hole.
- 4** Place the lamp or LED engine and fix it with the spring clip.

DIMENSIONS

| | | | | | | | | |
|---------------------------|--|-----|--|-------|--|-------|--|-----|
| 1.0 LED | | 85 | | 86-89 | | 4-23 | | 90 |
| 1.0 MR16 | | 86 | | 86-89 | | 4-23 | | 90 |
| 1.0 PAR16 | | 102 | | 86-89 | | 4-23 | | 105 |
| 1.0 LED (blade springs) | | 85 | | 86-89 | | min 6 | | 90 |
| 1.0 MR16 (blade springs) | | 86 | | 86-89 | | min 6 | | 90 |
| 1.0 PAR16 (blade springs) | | 102 | | 86-89 | | min 6 | | 105 |

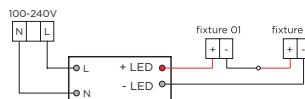
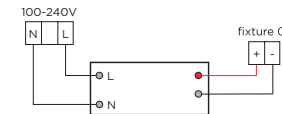
MOUNTING INSTRUCTION

- 1** Make a hole in the ceiling according to the prescribed dimensions.

2 POWER CONNECTION

SERIAL CONNECTION - for LED

Always use a power supply according to the specifications of the LED module.

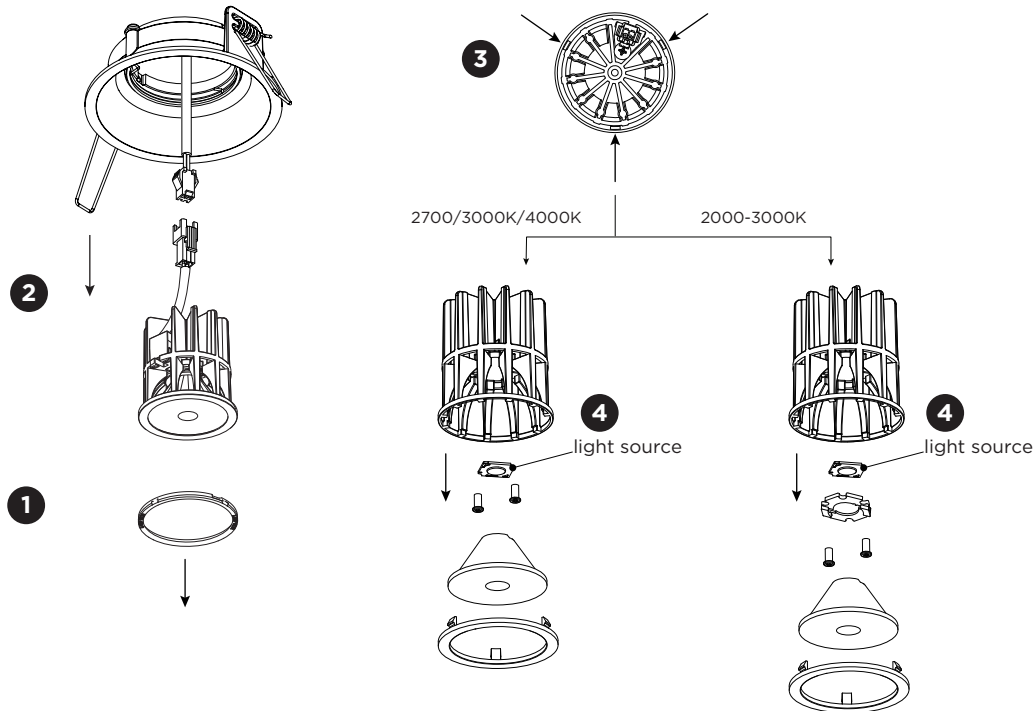


PARALLEL CONNECTION - for PAR16/MR16



DEEP ADJUST 1.0

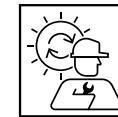
INSTALLATION INSTRUCTIONS | FEBRUARY 2023



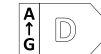
DISMOUNTING AND RECYCLING INSTRUCTIONS

Light source

- 1 Push in the slot of the spring clip and pull it out.
- 2 Unplug the LED module and remove it from the luminaire.
- 3 Push at the three points to loosen the front ring.
- 4 Take out the lens and unscrew the light source to remove it.



The light source is replaceable by an authorized professional.
For advice contact your Wever & Ducré customer service contact point.



This luminaire contains a light source with the energy class D.