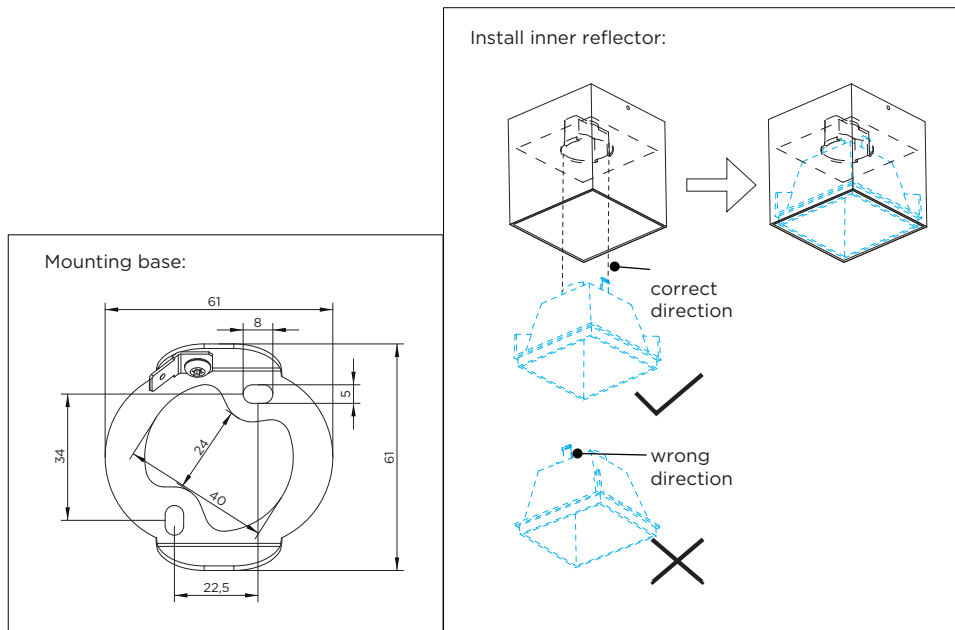
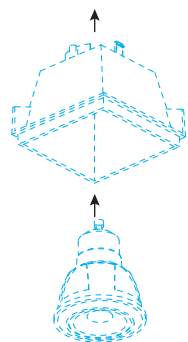
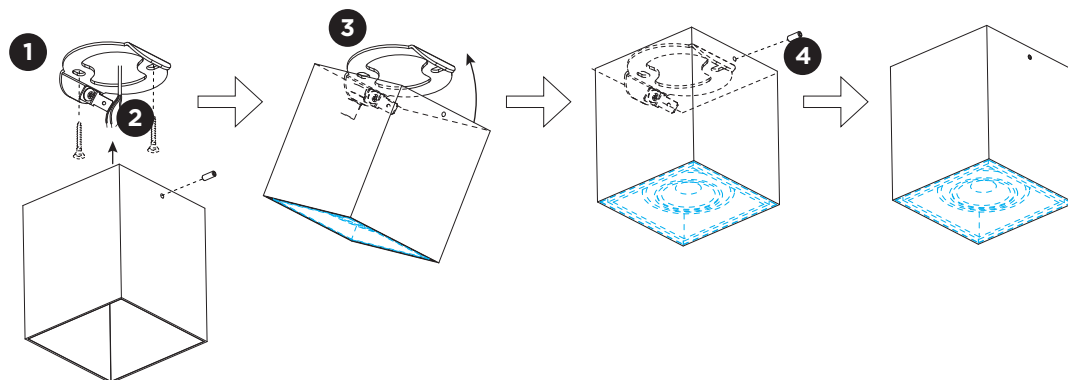
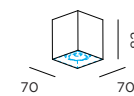


# BOX/RAY/DOCUS/HEXO MINI ceiling surface

INSTALLATION INSTRUCTIONS | MAY 2021



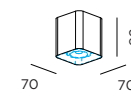
## DIMENSIONS



BOX MINI  
1.0 PAR16



RAY MINI  
1.0 PAR16



DOCUS MINI  
1.0 PAR16



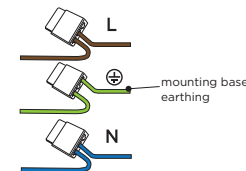
HEXO MINI  
1.0 PAR16

## MOUNTING INSTRUCTION

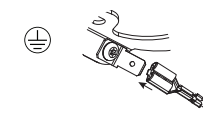
**1** Remove the mounting base from the luminaire by loosening the socket screw and mount it on the ceiling with screws (screws are not included).

## 2 POWER CONNECTION

Connect to 100-240V.



Connect the earth cable.



**3** Attach the luminaire to the mounting base with the screw opposite side first and tilt towards the ceiling as shown.

**4** Fixate the luminaire on the base with the socket screw.