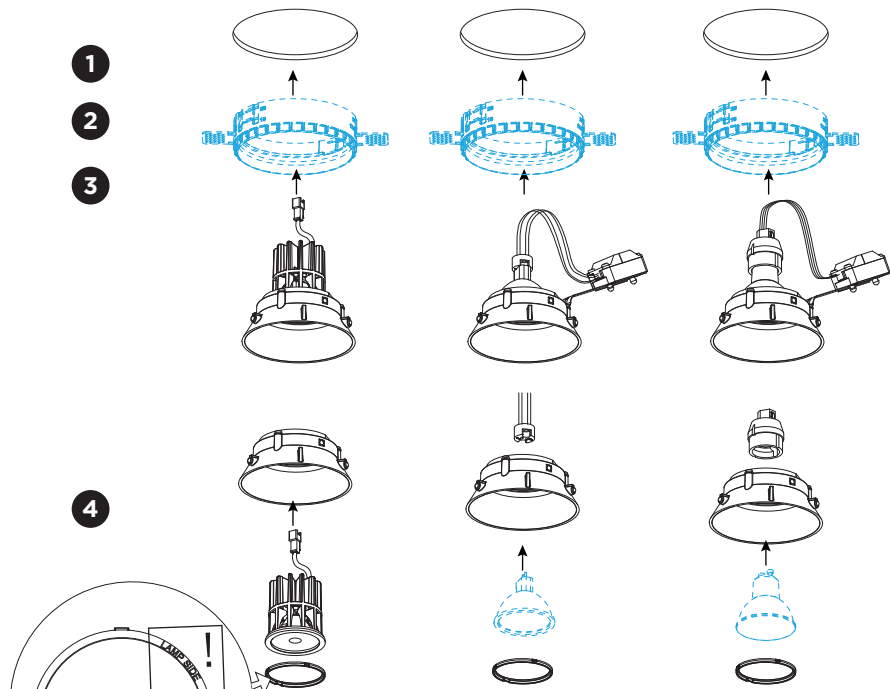


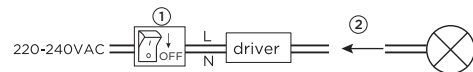
DEEP ADJUST trimless

INSTALLATION INSTRUCTIONS | NOVEMBER 2022



Driver must be powered off before connecting cables.

Before connecting the luminaire/LED module to the driver please make sure the driver is not powered but disconnected from the mains. The driver can only be powered when the luminaire/LED module is already connected. Disregarding this instruction might damage or even destroy the luminaire/LED module.



DIMENSIONS



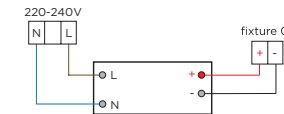
MOUNTING INSTRUCTION

- 1 Make a hole in the ceiling according to the prescribed dimensions.
- 2 Install the plasterkit into the hole (please see the page 2 for the detail).

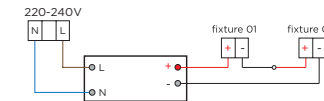
3 POWER CONNECTION

LED Always use a driver according to the specifications of the LED module.

Single connection

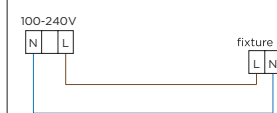


Multiple connection

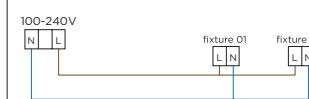


PAR16

Single connection



Multiple connection

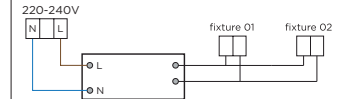


MR16

Single connection



Multiple connection

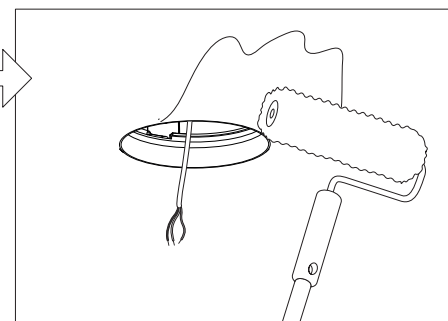
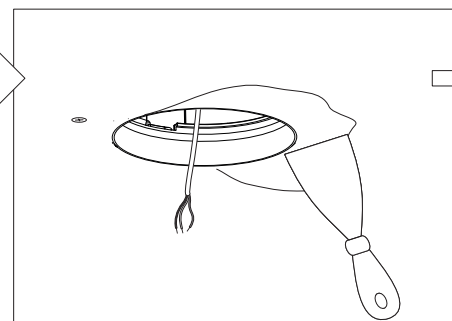
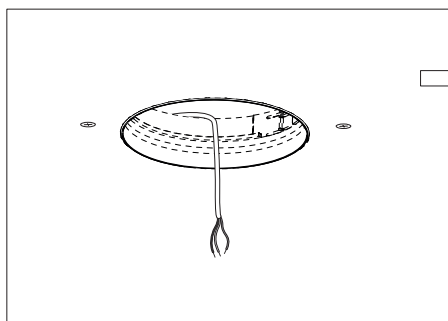
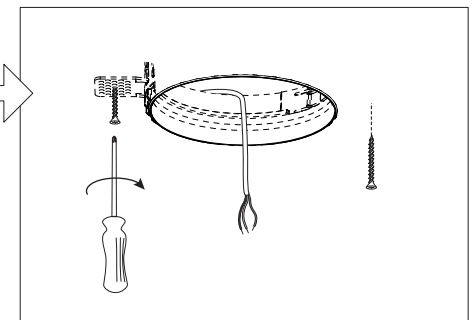
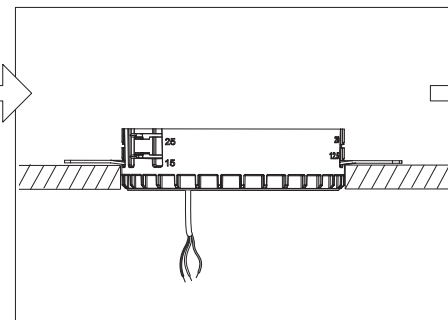
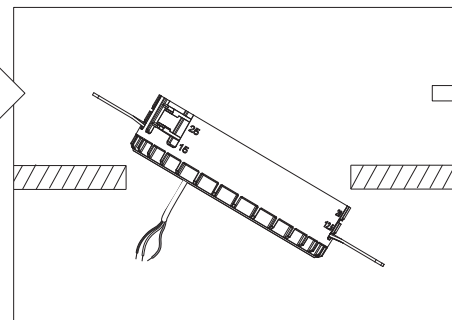
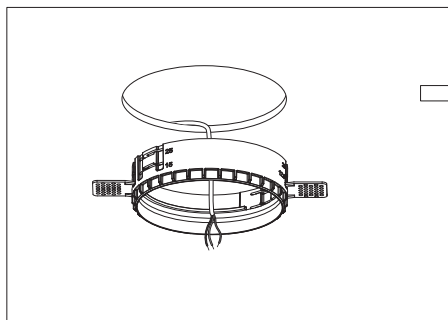
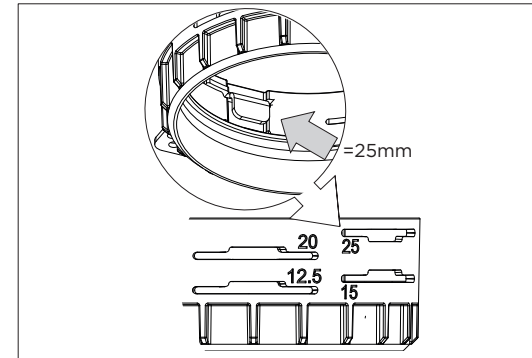
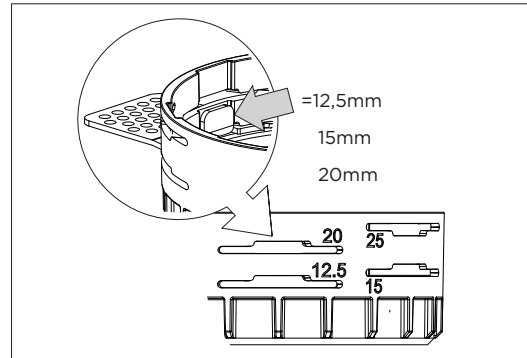
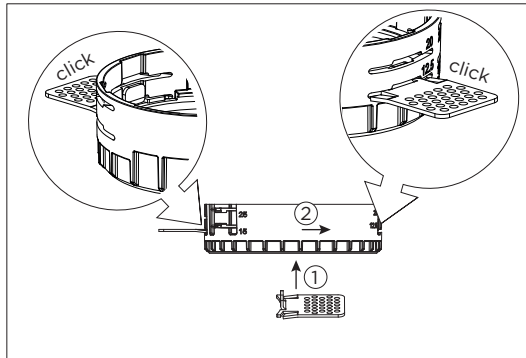


- 4 Push the luminaire in the plasterkit hole.

DEEP ADJUST trimless

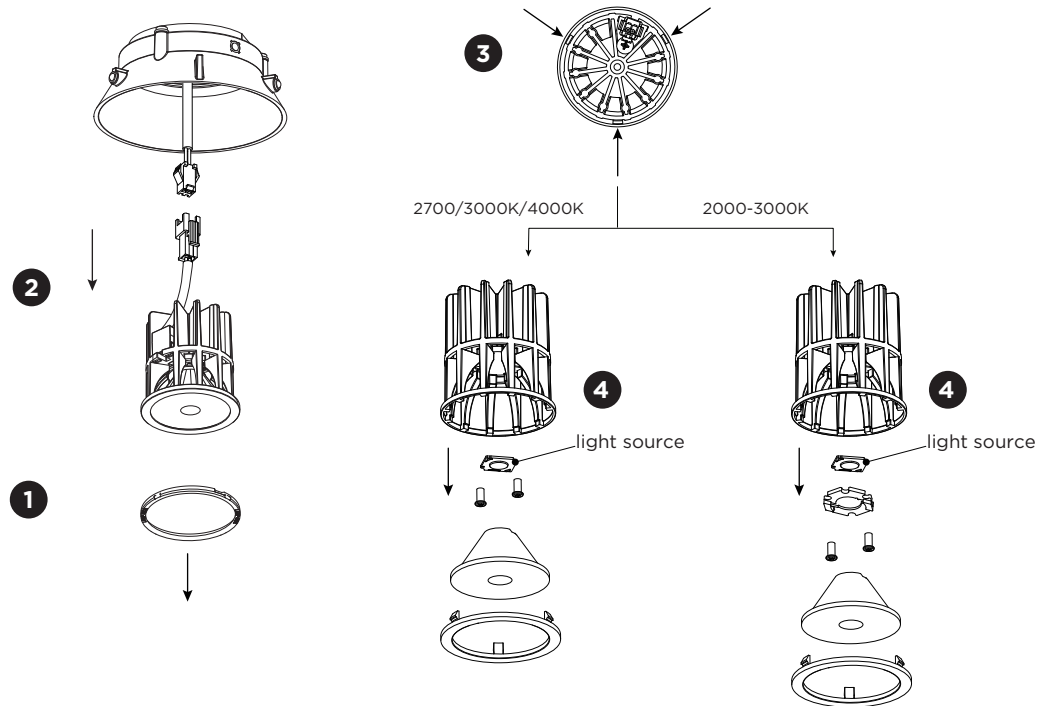
INSTALLATION INSTRUCTIONS | NOVEMBER 2022

Install the plasterkit into the ceiling hole.



DEEP ADJUST trimless

INSTALLATION INSTRUCTIONS | NOVEMBER 2022



DISMOUNTING AND RECYCLING INSTRUCTIONS

Light source

- 1 Push in the slot of the spring clip and pull it out.
- 2 Unplug the LED module and remove it from the luminaire.
- 3 Push at the three points to loosen the front ring.
- 4 Take out the lens and unscrew the light source to remove it.



The light source is replaceable by an authorized professional.
For advice contact your Wever & Ducré customer service contact point.



This luminaire contains a light source with the energy class D.