



PROJECT _____

TYPE _____

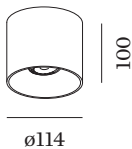
NOTES _____

QUANTITY _____

DATE _____



Cylindrical ceiling surface mounted downlight made from die-cast aluminium; surface Champagne; lamp socket GU10; lamp type PAR16; max. 12W; 100 - 240 V; degree of protection IP20; Class 1; UGR ≤ 13; VDU compatible workplace luminaire according to DIN EN 12464-1; luminance above 65° ≤ 1500 cd/m²; lamp not included; optional single inner cover available;



GENERAL

Ceiling _____
 Surface _____
 Champagne _____
 IP20 _____
 Interior _____
 CIE flux code: 94 98 100 100 _____
 100 _____

LED

lamp PAR16 _____
 socket GU10 _____
 max. per socket 12.0 W _____
 CRI ≥ 80 90 90 _____

ELECTRICAL

100 - 240 V _____
 Class 1 _____

PHYSICAL

diameter 114 mm _____
 height 100 mm _____
 0.61 kg _____

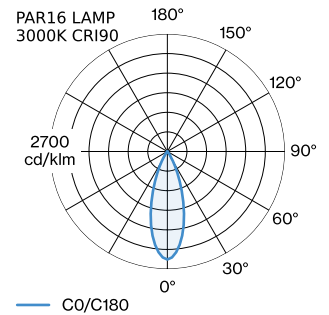
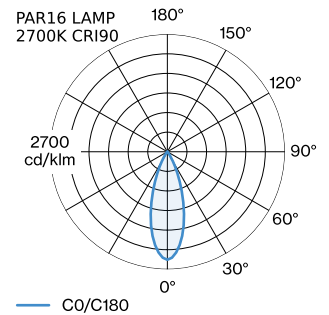
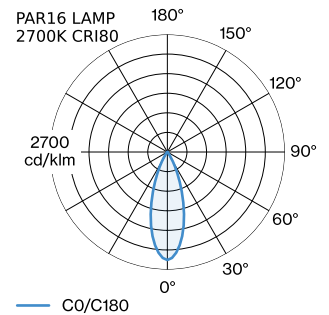
MEASURED LAMPS

PAR16 LAMP 2700K CRI80 _____
 385 lm _____
 4.4 W _____

PAR16 LAMP 3000K CRI90 _____
 480 lm _____
 6.5 W _____

PAR16 LAMP 2700K CRI90 _____
 460 lm _____
 6.5 W _____

LIGHT DISTRIBUTION





ELECTRICAL ACCESSORIES

LED LAMPS

Colour	Item number
Black Texture	W901228B3
Black Texture	W901228B5

LAMPS

PAR16 LED Lamp

Type	Colour	Ø·H (MM)	Item number
2700K >90 CRI GU10	White	50·60	901228W3
3000K >90 CRI GU10	White	50·60	901228W5
2700K >80 CRI GU10	Silver	50·60	905227S2
3000K >80 CRI GU10	Silver	50·60	905227S4

OPTICAL ACCESSORIES

Single Inner Cover

Type	Colour	Ø·H (MM)	Item number
RAY max. 10W	Black	67·54	911041B1
RAY max. 10W	Gold	67·54	911041G1
RAY max. 10W	Champagne	67·54	911041M1
RAY max. 10W	White	67·54	911041W1