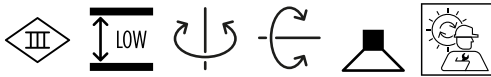
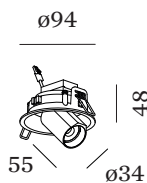




<b>PROJECT</b>
<b>TYPE</b>
<b>NOTES</b>
<b>QUANTITY</b>
<b>DATE</b>



Round ceiling recessed downlight made from die-cast aluminium; adjustable; surface Black Matt + Champagne; powder coated; matt texture + wet painted; smooth semi glossy; inner ring black; installation without tools using wire springs; suitable for ceiling thickness of 4-23 mm; recessed depth 60 mm; with COB (Chip on Board) technology for maximum efficiency; light colour 2000 K - 3000 K colour warm dimming; binning initial MacAdam  $\leq 3$  SDCM; CRI  $\geq 90$ ; beam angle 39°; 355° rotatable and 60° tiltable; degree of protection IP20; Class 3; IC rated; driver not included; light source replaceable by Wever & Ducré or by a professional with explicit authorization;



**GENERAL**

Ceiling
Semi-Recessed
tilt max 60 °
rotation 355 °
Black Matt + Champagne
IP20
IC rated
Interior
CIE flux code: 99 100 100 100 100

**LED**

colour warm dimming
2000 K - 3000 K
CRI $\geq 90$
L70 / 55000h
initial MacAdam $\leq 3$ SDCM

**OPTICAL**

Standard
beam angle 39°

**ELECTRICAL**

excl. driver
16 V
inset 5.7 W
Class 3

**PHYSICAL**

diameter 35 mm
height 55 mm
0.2 kg
wire springs

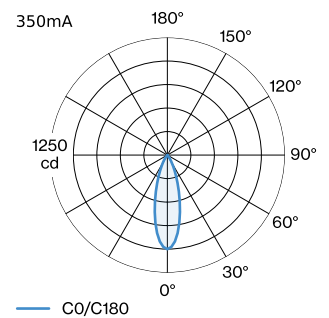
**CUTOUT**

diameter 86-89 mm
min. ceiling thickness 4 mm
max. ceiling thickness 23 mm
recessed depth 60 mm

**MEASURED DRIVER**

350mA
340 lm
7.6 W

**LIGHT DISTRIBUTION**





**CONE DIAGRAM**

standard 30° 350mA

h (m)	E0° (lx)	ø (m)
1	1000	0.54
2	250	1.09
3	110	1.63
4	60	2.17
5	40	2.71

**Maintenance Factor**

Operating Time [h]	10.000	20.000	30.000	40.000	50.000
LLMF	0.95	0.91	0.86	0.82	0.77
LSF	1	1	1	1	1

MF	LMF × RSMF × LLMF × LSF	RSMF <sup>a</sup>	Room Surface Maintenance Factor
MF	Maintenance Factor	LLMF	Lamp Lumens Maintenance Factor
LMF <sup>a</sup>	Luminaire Maintenance Factor	LSF	Lamp Survival Factor

<sup>a</sup>According to "CIE 97, Maintenance of indoor electric lighting systems", 2005, ISBN 3-900-734-34-8. The values must be determined by the planner.

**ELECTRICAL ACCESSORIES**

**Driver**

Type	Voltage	L·W·H (MM)	Item number
6W   350mA   8.6-18V	8.6-18V	67·39·22	90213303
10W   350mA   1-10V dim	14-28V	101.5·51·29.5	90223401
10W   350mA   phase-cut dim	12-28V	102·38·21	90223402
14W   350mA   2.5-42V	2.5-42V	145·33·21	90243501
17W   350mA   10-49V   DALI	10-49V	108·52·22	90243601

**OPTICAL ACCESSORIES**

**Honeycomb Louver**

Type	Colour	Ø (MM)	Item number
BLIEK PETIT   CENO   LECA   PIRRO	Black	29	90051131

[164461CH9] The technical data represent rated values for an ambient temperature of 25°C. The data values for the luminous flux are initially subject to a tolerance of +/- 10%, those for the electrical connected load are initially subject to a tolerance of +/- 10%, and those for the colour temperature are initially subject to a tolerance of +/- 150 K. No liability is assumed for typographical or printing errors. The general terms and conditions of Wever & Ducré BV apply.