



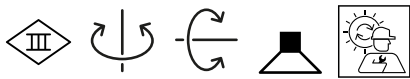
PROJECT _____

TYPE _____

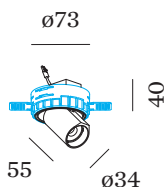
NOTES _____

QUANTITY _____

DATE _____



Round ceiling recessed downlight made from die-cast aluminium; adjustable; surface White Matt; powder coated, matt texture; inner ring black; with COB (Chip on Board) technology for maximum efficiency; light colour 2700 K; binning initial MacAdam ≤ 2 SDCM; CRI ≥ 90 ; beam angle 31°; 355° rotatable and 60° tiltable; degree of protection IP20; Class 3; IC rated; driver not included; to be combined with the plasterkit suitable for ceiling thickness; optional honeycomb louver available, to reduce glare; light source replaceable by Wever & Ducré or by a professional with explicit authorization;



GENERAL

Ceiling _____
 Semi-Recessed _____
 tilt max 60 ° _____
 rotation 355 ° _____
 White Matt _____
 IP20 _____
 IC rated _____
 Interior _____
 CIE flux code: 99 100 100 100 100 _____

LED

2700 K _____
 CRI ≥ 90 _____
 L70 / 55000h _____
 initial MacAdam ≤ 2 SDCM _____

OPTICAL

Standard _____
 beam angle 31° _____

ELECTRICAL

excl. driver _____
 17 V _____
 inset 6.0 W _____
 Class 3 _____

PHYSICAL

diameter 35 mm _____
 height 55 mm _____
 0.17 kg _____
 alu plasterkit _____

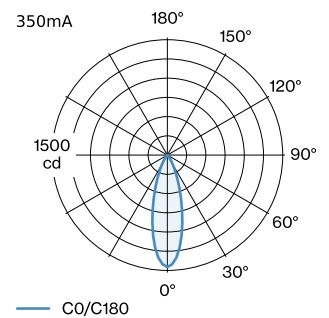
CUTOUT

diameter 78-80 mm _____
 recessed depth 80 mm _____
 12,5, 15,25 _____

MEASURED DRIVER

350mA _____
 495 lm _____
 8 W _____

LIGHT DISTRIBUTION



— C0/C180

[164561W3] The technical data represent rated values for an ambient temperature of 25°C. The data values for the luminous flux are initially subject to a tolerance of +/- 10%, those for the electrical connected load are initially subject to a tolerance of +/- 10%, and those for the colour temperature are initially subject to a tolerance of +/- 150 K. No liability is assumed for typographical or printing errors. The general terms and conditions of Wever & Ducré BV apply.



CONE DIAGRAM

standard 30° 350mA

h (m)	E0° (lx)	ø (m)
1	1460	0.54
2	360	1.09
3	160	1.63
4	90	2.17
5	60	2.71

Maintenance Factor

Operating Time [h]	10.000	20.000	30.000	40.000	50.000
LLMF	0.92	0.87	0.83	0.79	0.75
LSF	1	1	1	1	1

MF	LMF × RSMF × LLMF × LSF	RSMF ^a	Room Surface Maintenance Factor
MF	Maintenance Factor	LLMF	Lamp Lumens Maintenance Factor
LMF ^a	Luminaire Maintenance Factor	LSF	Lamp Survival Factor

^aAccording to "CIE 97, Maintenance of indoor electric lighting systems", 2005, ISBN 3-900-734-34-8. The values must be determined by the planner.

ELECTRICAL ACCESSORIES

Driver

Type	Voltage	L·W·H (MM)	Item number
6W 350mA 8.6-18V	8.6-18V	67·39·22	90213303
10W 350mA 1-10V dim	14-28V	101.5·51·29.5	90223401
10W 350mA phase-cut dim	12-28V	102·38·21	90223402
14W 350mA 2.5-42V	2.5-42V	145·33·21	90243501
17W 350mA 10-49V DALI	10-49V	108·52·22	90243601

OPTICAL ACCESSORIES

Honeycomb Louver

Type	Colour	Ø (MM)	Item number
BLIEK PETIT CENO LECA PIRRO	Black	29	90051131

MOUNTING ACCESSORIES

Plasterkit

Type	Ø·H (MM)	Item number
BLIEK PETIT TRIMLESS	73·29	90017210

[164561W3] The technical data represent rated values for an ambient temperature of 25°C. The data values for the luminous flux are initially subject to a tolerance of +/- 10%, those for the electrical connected load are initially subject to a tolerance of +/- 10%, and those for the colour temperature are initially subject to a tolerance of +/- 150 K. No liability is assumed for typographical or printing errors. The general terms and conditions of Wever & Ducré BV apply.