



PROJECT _____

TYPE _____

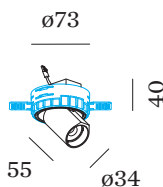
NOTES _____

QUANTITY _____

DATE _____



Round ceiling recessed downlight made from die-cast aluminium; adjustable; surface White Matt; powder coated, matt texture; inner ring black; with COB (Chip on Board) technology for maximum efficiency; light colour 2000 K - 3000 K colour warm dimming; binning initial MacAdam ≤ 3 SDCM; CRI ≥ 90 ; beam angle 39°; 355° rotatable and 60° tiltable; degree of protection IP20; Class 3; IC rated; driver not included; to be combined with the plasterkit suitable for ceiling thickness; optional honeycomb louver available, to reduce glare; light source replaceable by Wever & Ducré or by a professional with explicit authorization;



GENERAL

Ceiling _____
 Semi-Recessed _____
 tilt max 60 ° _____
 rotation 355 ° _____
 White Matt _____
 IP20 _____
 IC rated _____
 Interior _____
 CIE flux code: 99 100 100 100 100 _____

LED

colour warm dimming _____
 2000 K - 3000 K _____
 CRI ≥ 90 _____
 L70 / 55000h _____
 initial MacAdam ≤ 3 SDCM _____

OPTICAL

Standard _____
 beam angle 39° _____

ELECTRICAL

excl. driver _____
 16 V _____
 inset 5.7 W _____
 Class 3 _____

PHYSICAL

diameter 35 mm _____
 height 55 mm _____
 0.17 kg _____
 alu plasterkit _____

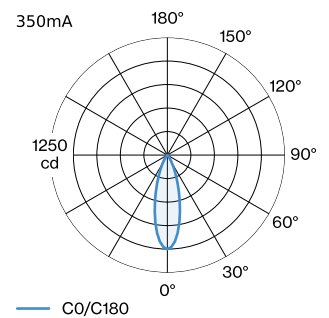
CUTOUT

diameter 78-80 mm _____
 recessed depth 80 mm _____
 12,5, 15,25 _____

MEASURED DRIVER

350mA _____
 340 lm _____
 7.6 W _____

LIGHT DISTRIBUTION





CONE DIAGRAM

standard 30° 350mA

h (m)	E0° (lx)	ø (m)
1	1000	0.54
2	250	1.09
3	110	1.63
4	60	2.17
5	40	2.71

Maintenance Factor

Operating Time [h]	10.000	20.000	30.000	40.000	50.000
LLMF	0.95	0.91	0.86	0.82	0.77
LSF	1	1	1	1	1

MF LMF × RSMF × LLMF × LSF

MF Maintenance Factor

 LMF^a Luminaire Maintenance Factor

 RSMF^a Room Surface Maintenance Factor

LLMF Lamp Lumens Maintenance Factor

LSF Lamp Survival Factor

^aAccording to "CIE 97, Maintenance of indoor electric lighting systems", 2005, ISBN 3-900-734-34-8. The values must be determined by the planner.

ELECTRICAL ACCESSORIES

Driver

Type	Voltage	L·W·H (MM)	Item number
6W 350mA 8.6-18V	8.6-18V	67·39·22	90213303
10W 350mA 1-10V dim	14-28V	101.5·51·29.5	90223401
10W 350mA phase-cut dim	12-28V	102·38·21	90223402
14W 350mA 2.5-42V	2.5-42V	145·33·21	90243501
17W 350mA 10-49V DALI	10-49V	108·52·22	90243601

OPTICAL ACCESSORIES

Honeycomb Louver

Type	Colour	Ø (MM)	Item number
BLIEK PETIT CENO LECA PIRRO	Black	29	90051131

MOUNTING ACCESSORIES

Plasterkit

Type	Ø·H (MM)	Item number
BLIEK PETIT TRIMLESS	73·29	90017210