



PROJECT _____

TYPE _____

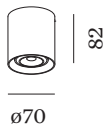
NOTES _____

QUANTITY _____

DATE _____



Cylindrical ceiling surface mounted downlight made from die-cast aluminium; surface Champagne; lamp socket GU10; lamp type PAR16; max. 12W; 100 - 240 V; degree of protection IP20; Class 1; optional inner reflector available; lamp not included;



GENERAL

Ceiling _____
 Surface _____
 Champagne _____
 IP20 _____
 Interior _____
 CIE flux code: 94 98 100 100
 93 _____

LED

lamp PAR16 _____
 socket GU10 _____
 max. per socket 12.0 W _____
 CRI ≥ 90 80 _____

ELECTRICAL

100 - 240 V _____
 Class 1 _____

PHYSICAL

diameter 70 mm _____
 height 82 mm _____
 0.14 kg _____

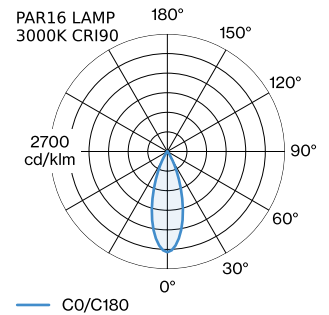
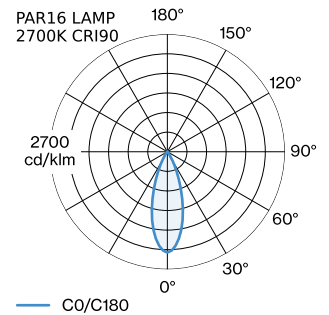
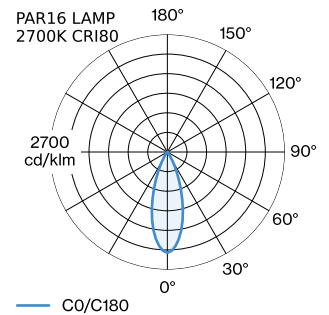
MEASURED LAMPS

PAR16 LAMP 2700K CRI90 _____
 430 lm _____
 6.5 W _____

PAR16 LAMP 3000K CRI90 _____
 450 lm _____
 6.5 W _____

PAR16 LAMP 2700K CRI80 _____
 360 lm _____
 4.4 W _____

LIGHT DISTRIBUTION



[258220M0] The technical data represent rated values for an ambient temperature of 25°C. The data values for the luminous flux are initially subject to a tolerance of +/- 10%, those for the electrical connected load are initially subject to a tolerance of +/- 10%, and those for the colour temperature are initially subject to a tolerance of +/- 150 K. No liability is assumed for typographical or printing errors. The general terms and conditions of Wever & Ducré BV apply.



OPTICAL ACCESSORIES

Inner Reflector

Type	Colour	Item number
RAY mini max. 10W	Black	900199B4
RAY mini max. 10W	Gold	900199G4
RAY mini max. 10W	Champagne	900199M4
RAY mini max. 10W	Bronze	900199Q4
RAY mini max. 10W	White	900199W4

ELECTRICAL ACCESSORIES

LED LAMPS

Colour	Item number
Black Texture	W901228B3
Black Texture	W901228B5

LAMPS

PAR16 LED Lamp

Type	Colour	Ø·H (MM)	Item number
2700K >90 CRI GU10	White	50-60	901228W3
3000K >90 CRI GU10	White	50-60	901228W5
2700K >80 CRI GU10	Silver	50-60	905227S2
3000K >80 CRI GU10	Silver	50-60	905227S4