



PROJECT _____

TYPE _____

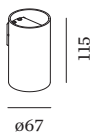
NOTES _____

QUANTITY _____

DATE _____



Cylindrical wall surface mounted luminaire made from aluminium; surface Champagne; direct light distribution; lamp socket GU10; lamp type PAR16; max. 12W; 100 - 240 V; lamp not included; degree of protection IP20; Class 1;



GENERAL

Wall _____
 Surface _____
 Champagne _____
 IP20 _____
 Interior _____
 CIE flux code: 94 98 100 100 _____
 90 _____

LED

lamp PAR16 _____
 socket GU10 _____
 max. per socket 12.0 W _____
 CRI ≥ 90 _____

ELECTRICAL

100 - 240 V _____
 Class 1 _____

PHYSICAL

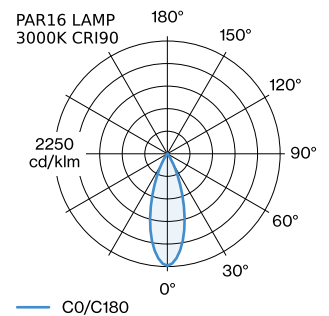
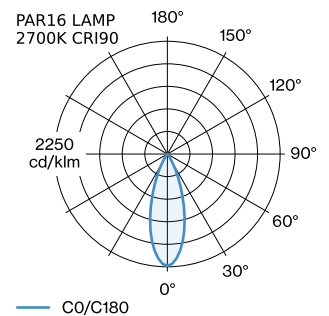
diameter 67 mm _____
 height 115 mm _____
 0.21 kg _____

MEASURED LAMPS

PAR16 LAMP 2700K CRI90 _____
 415 lm _____
 6.5 W _____

PAR16 LAMP 3000K CRI90 _____
 430 lm _____
 6.5 W _____

LIGHT DISTRIBUTION



300220M0



ELECTRICAL ACCESSORIES

LED LAMPS

Colour

Black Texture

Black Texture

Item number

W901228B3

W901228B5

LAMPS

PAR16 LED Lamp

Type

2700K | >90 CRI | GU10

3000K | >90 CRI | GU10

2700K | >80 CRI | GU10

3000K | >80 CRI | GU10

Colour

White

White

Silver

Silver

Ø·H (MM)

50·60

50·60

50·60

50·60

Item number

901228W3

901228W5

905227S2

905227S4