



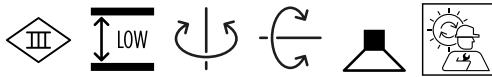
**PROJECT** \_\_\_\_\_

**TYPE** \_\_\_\_\_

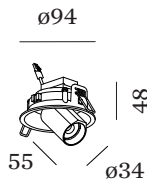
**NOTES** \_\_\_\_\_

**QUANTITY** \_\_\_\_\_

**DATE** \_\_\_\_\_



Round ceiling recessed downlight made from die-cast aluminium; adjustable; surface White Matt; powder coated, matt texture; RAL 9003; inner ring black; installation without tools using wire springs; suitable for ceiling thickness of 4-23 mm; recessed depth 60 mm; with COB (Chip on Board) technology for maximum efficiency; light colour 3000 K; binning initial MacAdam  $\leq 2$  SDCM; CRI  $\geq 90$ ; beam angle 31°; 355° rotatable and 60° tiltable; degree of protection IP20; Class 3; IC rated; driver not included; light source replaceable by Wever & Ducré or by a professional with explicit authorization;



**GENERAL**

Ceiling \_\_\_\_\_  
 Semi-Recessed \_\_\_\_\_  
 tilt max 60 ° \_\_\_\_\_  
 rotation 355 ° \_\_\_\_\_  
 White Matt \_\_\_\_\_  
 RAL 9003 <sup>a</sup> \_\_\_\_\_  
 IP20 \_\_\_\_\_  
 IC rated \_\_\_\_\_  
 Interior \_\_\_\_\_  
 CIE flux code: 99 100 100 100 \_\_\_\_\_  
 100 \_\_\_\_\_

**LED**

3000 K \_\_\_\_\_  
 CRI  $\geq 90$  \_\_\_\_\_  
 L70 / 55000h \_\_\_\_\_  
 initial MacAdam  $\leq 2$  SDCM \_\_\_\_\_

**OPTICAL**

Standard \_\_\_\_\_  
 beam angle 31° \_\_\_\_\_

**ELECTRICAL**

excl. driver \_\_\_\_\_  
 17 V \_\_\_\_\_  
 inset 6.0 W \_\_\_\_\_  
 Class 3 \_\_\_\_\_

**PHYSICAL**

diameter 35 mm \_\_\_\_\_  
 height 55 mm \_\_\_\_\_  
 0.2 kg \_\_\_\_\_  
 wire springs \_\_\_\_\_

**CUTOUT**

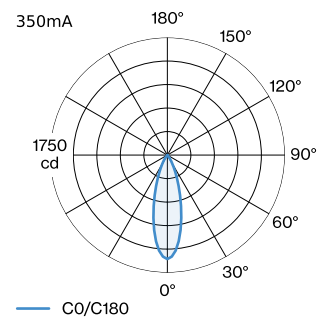
diameter 86-89 mm \_\_\_\_\_  
 min. ceiling thickness 4 mm \_\_\_\_\_  
 max. ceiling thickness 23 mm \_\_\_\_\_  
 recessed depth 60 mm \_\_\_\_\_

<sup>a</sup> Colour may deviate slightly due to production conditions.

**MEASURED DRIVER**

350mA \_\_\_\_\_  
 530 lm \_\_\_\_\_  
 8 W \_\_\_\_\_

**LIGHT DISTRIBUTION**



[164461W5] The technical data represent rated values for an ambient temperature of 25°C. The data values for the luminous flux are initially subject to a tolerance of +/- 10%, those for the electrical connected load are initially subject to a tolerance of +/- 10%, and those for the colour temperature are initially subject to a tolerance of +/- 150 K. No liability is assumed for typographical or printing errors. The general terms and conditions of Wever & Ducré BV apply.



## CONE DIAGRAM

standard 30° 350mA

h (m)	E0° (lx)	ø (m)
1	1550	0.54
2	390	1.09
3	170	1.63
4	100	2.17
5	60	2.71

## Maintenance Factor

Operating Time [h]	10.000	20.000	30.000	40.000	50.000
LLMF	0.92	0.87	0.83	0.79	0.75
LSF	1	1	1	1	1

 $MF = LMF \times RSMF \times LLMF \times LSF$ 

MF Maintenance Factor

 $RSMF^a$  Room Surface Maintenance Factor

LLMF Lamp Lumens Maintenance Factor

 $LMF^a$  Luminaire Maintenance Factor

LSF Lamp Survival Factor

<sup>a</sup>According to "CIE 97, Maintenance of indoor electric lighting systems", 2005, ISBN 3-900-734-34-8. The values must be determined by the planner.

## ELECTRICAL ACCESSORIES

### Driver

Type	Voltage	L·W·H (MM)	Item number
6W   350mA   8.6-18V	8.6-18V	67·39·22	90213303
10W   350mA   1-10V dim	14-28V	101.5·51·29.5	90223401
10W   350mA   phase-cut dim	12-28V	102·38·21	90223402
14W   350mA   2.5-42V	2.5-42V	145·33·21	90243501
17W   350mA   10-49V   DALI	10-49V	108·52·22	90243601

## OPTICAL ACCESSORIES

### Honeycomb Louver

Type	Colour	Ø (MM)	Item number
BLIEK PETIT   CENO   LECA   PIRRO	Black	29	90051131