



PROJECT

---

TYPE

---

NOTES

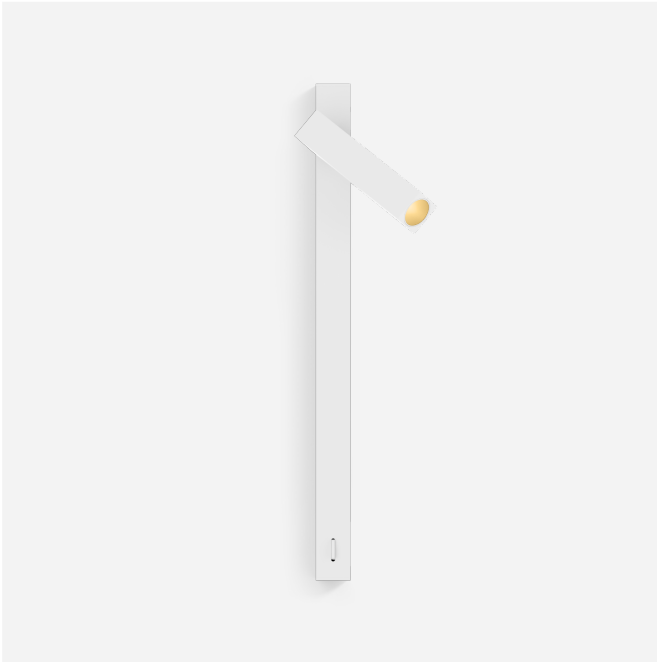
---

QUANTITY

---

DATE

---



Bedside luminaire made from die-cast aluminium with rectangular base; inclusive on/off switch in white; surface White Matt + Gold; powder coated; matt texture; with COB (Chip on Board) technology for maximum efficiency; light colour 2700 K; binning initial MacAdam  $\leq 2$  SDCM; CRI  $\geq 90$ ; beam angle 23°; 220 - 240 V; 350° rotatable and 90° tiltable; degree of protection IP20; Class 1; driver included; light source replaceable by Wever & Ducré or by a professional with explicit authorization; control gear replaceable by end-user;

**GENERAL**

Wall  
 Surface  
 tilt max 90 °  
 rotation 350 °  
 White Matt + Gold  
 IP20  
 Interior  
 CIE flux code: 90 98 100 100 100

**LED**

2700 K  
 CRI  $\geq 90$   
 L80 / 50000 h  
 initial MacAdam  $\leq 2$  SDCM

**OPTICAL**

Standard  
 beam angle 23°

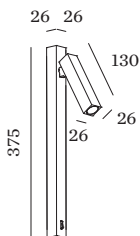
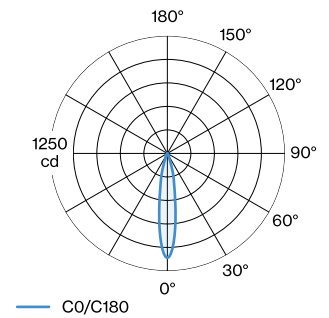
**ELECTRICAL**

incl. driver  
 220 - 240 V  
 7.5 W  
 Class 1

**PHYSICAL**

length 130 mm  
 width 26 mm  
 height 26 mm  
 0.39 kg  
 incl. switch on/off

**LIGHT DISTRIBUTION**



[159643J3] The technical data represent rated values for an ambient temperature of 25°C. The data values for the luminous flux are initially subject to a tolerance of +/- 10%, those for the electrical connected load are initially subject to a tolerance of +/- 10%, and those for the colour temperature are initially subject to a tolerance of +/- 150 K. No liability is assumed for typographical or printing errors. The general terms and conditions of Wever & Ducré BV apply.



## CONE DIAGRAM

standard 18°

h (m)	E0° (lx)	ø (m)
1	1110	0.31
2	280	0.62
3	120	0.93
4	70	1.25
5	40	1.56

## Maintenance Factor

Operating Time [h]	10.000	20.000	30.000	40.000	50.000
LLMF	0.96	0.92	0.88	0.85	0.81
LSF	1	1	1	1	1

MF  $LMF \times RSMF \times LLMF \times LSF$

MF Maintenance Factor

LMF<sup>a</sup> Luminaire Maintenance Factor

RSMF<sup>a</sup> Room Surface Maintenance Factor

LLMF Lamp Lumens Maintenance Factor

LSF Lamp Survival Factor

<sup>a</sup>According to "CIE 97, Maintenance of indoor electric lighting systems", 2005, ISBN 3-900-734-34-8. The values must be determined by the planner.