



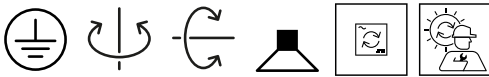
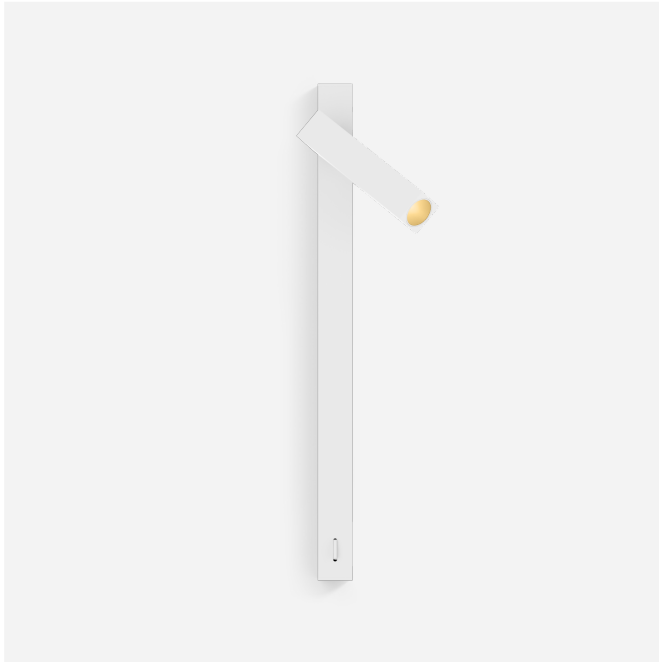
PROJECT

TYPE

NOTES

QUANTITY

DATE



Bedside luminaire made from die-cast aluminium with rectangular base; inclusive on/off switch in white; surface White Matt + Gold; powder coated; matt texture; with COB (Chip on Board) technology for maximum efficiency; light colour 3000 K; binning initial MacAdam ≤ 2 SDCM; CRI ≥ 90 ; beam angle 23°; 220 - 240 V; 350° rotatable and 90° tiltable; degree of protection IP20; Class 1; driver included; light source replaceable by Wever & Ducré or by a professional with explicit authorization; control gear replaceable by end-user;

GENERAL

Wall
 Surface
 tilt max 90 °
 rotation 350 °
 White Matt + Gold
 IP20
 Interior
 CIE flux code: 90 98 100 100 100

LED

3000 K
 CRI ≥ 90
 L80 / 50000 h
 initial MacAdam ≤ 2 SDCM

OPTICAL

Standard
 beam angle 23°

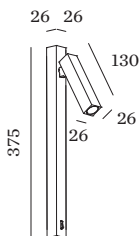
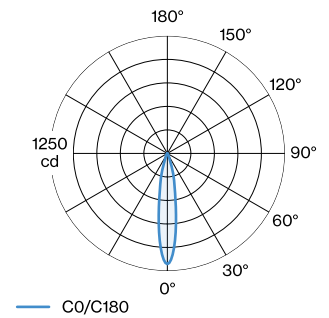
ELECTRICAL

incl. driver
 220 - 240 V
 7.5 W
 Class 1

PHYSICAL

length 130 mm
 width 26 mm
 height 26 mm
 0.39 kg
 incl. switch on/off

LIGHT DISTRIBUTION



[159643J5] The technical data represent rated values for an ambient temperature of 25°C. The data values for the luminous flux are initially subject to a tolerance of +/- 10%, those for the electrical connected load are initially subject to a tolerance of +/- 10%, and those for the colour temperature are initially subject to a tolerance of +/- 150 K. No liability is assumed for typographical or printing errors. The general terms and conditions of Wever & Ducré BV apply.



CONE DIAGRAM

standard 18°

h (m)	E0° (lx)	ø (m)
1	1180	0.31
2	290	0.62
3	130	0.93
4	70	1.25
5	50	1.56

Maintenance Factor

Operating Time [h]	10.000	20.000	30.000	40.000	50.000
LLMF	0.96	0.92	0.88	0.84	0.81
LSF	1	1	1	1	1

MF $LMF \times RSMF \times LLMF \times LSF$

MF Maintenance Factor

LMF^a Luminaire Maintenance Factor

RSMF^a Room Surface Maintenance Factor

LLMF Lamp Lumens Maintenance Factor

LSF Lamp Survival Factor

^aAccording to "CIE 97, Maintenance of indoor electric lighting systems", 2005, ISBN 3-900-734-34-8. The values must be determined by the planner.