



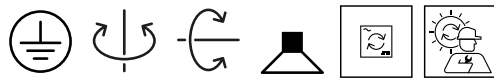
PROJECT

TYPE

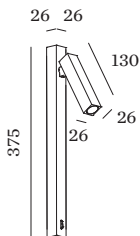
NOTES

QUANTITY

DATE



Bedside luminaire made from die-cast aluminium with rectangular base; inclusive on/off switch in black; surface Black Matt + Gold; powder coated and wet painted; matt texture; RAL 9005; with COB (Chip on Board) technology for maximum efficiency; light colour 2700 K; binning initial MacAdam ≤ 2 SDCM; CRI ≥ 90 ; beam angle 23°; 220 - 240 V; 350° rotatable and 90° tiltable; degree of protection IP20; Class 1; driver included; light source replaceable by Wever & Ducré or by a professional with explicit authorization; control gear replaceable by end-user;



GENERAL

Wall
 Surface
 tilt max 90 °
 rotation 350 °
 Black Matt + Gold
 RAL 9005 ^a
 IP20
 Interior
 CIE flux code: 90 98 100 100 100

LED

2700 K
 CRI ≥ 90
 L80 / 50000 h
 initial MacAdam ≤ 2 SDCM

OPTICAL

Standard
 beam angle 23°

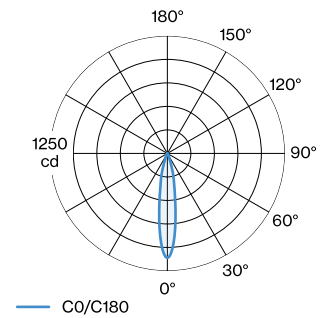
ELECTRICAL

incl. driver
 220 - 240 V
 7.5 W
 Class 1

PHYSICAL

length 130 mm
 width 26 mm
 height 26 mm
 0.39 kg
 incl. switch on/off

LIGHT DISTRIBUTION



^a Colour may deviate slightly due to production conditions.



CONE DIAGRAM

standard 18°

h (m)	E0° (lx)	ø (m)
1	1110	0.31
2	280	0.62
3	120	0.93
4	70	1.25
5	40	1.56

Maintenance Factor

Operating Time [h]	10.000	20.000	30.000	40.000	50.000
LLMF	0.96	0.92	0.88	0.85	0.81
LSF	1	1	1	1	1

MF $LMF \times RSMF \times LLMF \times LSF$

MF Maintenance Factor

LMF^a Luminaire Maintenance Factor

RSMF^a Room Surface Maintenance Factor

LLMF Lamp Lumens Maintenance Factor

LSF Lamp Survival Factor

^aAccording to "CIE 97, Maintenance of indoor electric lighting systems", 2005, ISBN 3-900-734-34-8. The values must be determined by the planner.