



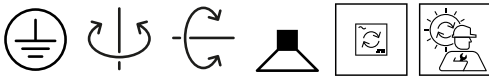
PROJECT _____

TYPE _____

NOTES _____

QUANTITY _____

DATE _____



Ceiling surface spotlight made from die-cast aluminium; with rectangular base; surface Black Matt + Gold; wet painted, matt smooth; RAL 9005; inner ring black; with COB (Chip on Board) technology for maximum efficiency; phase-cut dim; light colour 3000 K; binning initial MacAdam ≤ 2 SDCM; CRI ≥ 90 ; beam angle 31°; 220 - 240 V; 350° rotatable and 90° tiltable; degree of protection IP20; Class 1; driver included; optional honeycomb louver available, to reduce glare; light source replaceable by Wever & Ducré or by a professional with explicit authorization; control gear replaceable by end-user;

GENERAL

Ceiling _____

Surface _____

tilt max 90 ° _____

rotation 350 ° _____

Black Matt + Gold _____

RAL 9005 ^a _____

IP20 _____

Interior _____

CIE flux code: 99 100 100 100 100 _____

LED

3000 K _____

CRI ≥ 90 _____

L70 / 55000h _____

initial MacAdam ≤ 2 SDCM _____

OPTICAL

Standard _____

beam angle 31° _____

ELECTRICAL

phase-cut dim _____

220 - 240 V _____

8.8 W _____

Class 1 _____

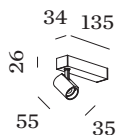
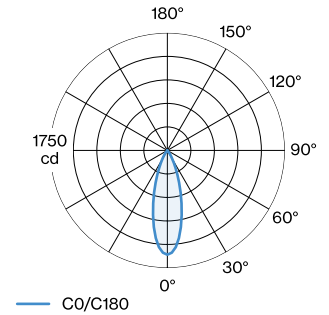
PHYSICAL

diameter 35 mm _____

height 55 mm _____

0.21 kg _____

LIGHT DISTRIBUTION



^a Colour may deviate slightly due to production conditions.



CONE DIAGRAM

standard 31°

h (m)	E0° (lx)	ø (m)
1	1550	0.56
2	390	1.12
3	170	1.68
4	100	2.23
5	60	2.79

OPTICAL ACCESSORIES

Honeycomb Louver

Type

BLIEK PETIT | CENO | LECA | PIRRO

Colour

Black

Ø (MM)

29

Item number

90051131