



**PROJECT** \_\_\_\_\_

**TYPE** \_\_\_\_\_

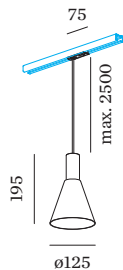
**NOTES** \_\_\_\_\_

**QUANTITY** \_\_\_\_\_

**DATE** \_\_\_\_\_



Suspended luminaire for 1-phase tracks made from die-cast aluminium; track adapter with height adjustable cable system; surface Gold + Black Matt wet painted; matt texture; lamp socket GU10; lamp type PAR16; max. 12W; 100 - 240 V; degree of protection IP20; Class 1; lamp not included;



**GENERAL**

Ceiling \_\_\_\_\_  
 Track Suspended \_\_\_\_\_  
 Gold + Black Matt \_\_\_\_\_  
 IP20 \_\_\_\_\_  
 Interior \_\_\_\_\_  
 CIE flux code: 94 98 100 100 \_\_\_\_\_  
 82 \_\_\_\_\_

**LED**

lamp PAR16 \_\_\_\_\_  
 socket GU10 \_\_\_\_\_  
 max. per socket 12.0 W \_\_\_\_\_  
 CRI ≥ 90 \_\_\_\_\_

**ELECTRICAL**

incl. 1-phase Global track \_\_\_\_\_  
 adapter \_\_\_\_\_  
 100 - 240 V \_\_\_\_\_  
 Class 1 \_\_\_\_\_

**PHYSICAL**

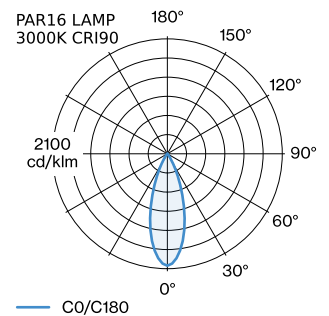
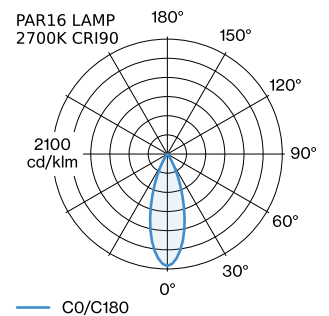
diameter 125 mm \_\_\_\_\_  
 height 195 mm \_\_\_\_\_  
 0.33 kg \_\_\_\_\_  
 adapter 75 mm \_\_\_\_\_  
 incl. 1-phase track adapter \_\_\_\_\_

**MEASURED LAMPS**

PAR16 LAMP 2700K CRI90 \_\_\_\_\_  
 380 lm \_\_\_\_\_  
 6.5 W \_\_\_\_\_

PAR16 LAMP 3000K CRI90 \_\_\_\_\_  
 395 lm \_\_\_\_\_  
 6.5 W \_\_\_\_\_

**LIGHT DISTRIBUTION**



[187420GB0] The technical data represent rated values for an ambient temperature of 25°C. The data values for the luminous flux are initially subject to a tolerance of +/- 10%, those for the electrical connected load are initially subject to a tolerance of +/- 10%, and those for the colour temperature are initially subject to a tolerance of +/- 150 K. No liability is assumed for typographical or printing errors. The general terms and conditions of Wever & Ducré BV apply.



## MOUNTING ACCESSORIES

### Adjustable Corner

| Type          | Colour | L·W·H (MM) | Item number |
|---------------|--------|------------|-------------|
| 1-phase track | Black  | 81-81-20   | 90014041    |
| 1-phase track | White  | 81-81-20   | 90014042    |

### X-Connector

| Type          | Colour | L·W·H (MM) | Item number |
|---------------|--------|------------|-------------|
| 1-phase track | White  | 145-145-20 | 90014049    |
| 1-phase track | Black  | 145-145-20 | 90014050    |

## TRACK ACCESSORIES

### Coverplate End Feed

| Type                     | Colour | L·W (MM) | Item number |
|--------------------------|--------|----------|-------------|
| 1-phase track   recessed | White  | 75-50    | 90014124    |
| 1-phase track   recessed | Black  | 75-50    | 90014125    |

### Coverplate I/L/T/X

| Type                     | Colour | L·W (MM) | Item number |
|--------------------------|--------|----------|-------------|
| 1-phase track   recessed | White  | 100-100  | 90014126    |
| 1-phase track   recessed | Black  | 100-100  | 90014127    |

### End Cap

| Type                       | Colour | L·W·H (MM) | Item number |
|----------------------------|--------|------------|-------------|
| 1-phase track   left/right | White  | 24-30-20   | 90014028    |
| 1-phase track   left/right | Black  | 24-30-20   | 90014029    |

### End Feed | left

| Type          | Colour | L·W·H (MM) | Item number |
|---------------|--------|------------|-------------|
| 1-phase track | White  | 88-30-20   | 90014018    |
| 1-phase track | Black  | 88-30-20   | 90014019    |

### End Feed | right

| Type          | Colour | L·W·H (MM) | Item number |
|---------------|--------|------------|-------------|
| 1-phase track | White  | 88-30-20   | 90014020    |
| 1-phase track | Black  | 88-30-20   | 90014021    |

### L-Connector

| Type                  | Colour | L·W·H (MM) | Item number |
|-----------------------|--------|------------|-------------|
| 1-phase track   left  | White  | 88-55-20   | 90014024    |
| 1-phase track   left  | Black  | 88-55-20   | 90014025    |
| 1-phase track   right | White  | 88-55-20   | 90014026    |
| 1-phase track   right | Black  | 88-55-20   | 90014027    |

### Middle Feed

| Type                     | Colour | L·W·H (MM) | Item number |
|--------------------------|--------|------------|-------------|
| 1-phase track   straight | White  | 145-30-20  | 90014036    |
| 1-phase track   straight | Black  | 145-30-20  | 90014037    |

### Mounting Bracket

| Type                     | L·W·H (MM) | Item number |
|--------------------------|------------|-------------|
| 1-phase track   recessed | 35-59-35   | 90014100    |


**Straight Connector**

| Type                     | Colour | L-H (MM) | Item number |
|--------------------------|--------|----------|-------------|
| 1-phase track   straight | White  | 65-17    | 90014022    |
| 1-phase track   straight | Black  | 65-17    | 90014023    |

**Suspension Set 1.5m**

| Type                      | Colour | Ø-H (MM) | Item number |
|---------------------------|--------|----------|-------------|
| 1-phase track   suspended | White  | 29-1500  | 90014101    |
| 1-phase track   suspended | Black  | 29-1500  | 90014102    |

**Suspension Set 3.0m**

| Type                      | Colour | Ø-H (MM) | Item number |
|---------------------------|--------|----------|-------------|
| 1-phase track   suspended | White  | 29-3000  | 90014103    |
| 1-phase track   suspended | Black  | 29-3000  | 90014104    |

**T-Connector 1.0**

| Type          | Colour | L-W-H (MM) | Item number |
|---------------|--------|------------|-------------|
| 1-phase track | White  | 145-55-20  | 90014010    |
| 1-phase track | Black  | 145-55-20  | 90014011    |

**T-Connector 2.0**

| Type          | Colour | L-W-H (MM) | Item number |
|---------------|--------|------------|-------------|
| 1-phase track | White  | 145-55-20  | 90014012    |
| 1-phase track | Black  | 145-55-20  | 90014013    |

**T-Connector 3.0**

| Type          | Colour | L-W-H (MM) | Item number |
|---------------|--------|------------|-------------|
| 1-phase track | White  | 145-55-20  | 90014014    |
| 1-phase track | Black  | 145-55-20  | 90014015    |

**T-Connector 4.0**

| Type          | Colour | L-W-H (MM) | Item number |
|---------------|--------|------------|-------------|
| 1-phase track | White  | 145-55-20  | 90014016    |
| 1-phase track | Black  | 145-55-20  | 90014017    |

**Track Adapter 1.0**

| Type          | Colour | L-H (MM) | Item number |
|---------------|--------|----------|-------------|
| 1-phase track | Black  | 85-45    | 90014043    |
| 1-phase track | White  | 85-45    | 90014044    |

**ELECTRICAL ACCESSORIES**
**LED LAMPS**

| Colour        | Item number |
|---------------|-------------|
| Black Texture | W901228B3   |
| Black Texture | W901228B5   |

**LAMPS**


**PAR16 LED Lamp**

| Type                   | Colour | Ø·H (MM) | Item number |
|------------------------|--------|----------|-------------|
| 2700K   >90 CRI   GU10 | White  | 50·60    | 901228W3    |
| 3000K   >90 CRI   GU10 | White  | 50·60    | 901228W5    |
| 2700K   >80 CRI   GU10 | Silver | 50·60    | 905227S2    |
| 3000K   >80 CRI   GU10 | Silver | 50·60    | 905227S4    |

**TRACKS**
**Track Profile 1m**

| Type                              | Colour | L·W·H (MM) | Item number |
|-----------------------------------|--------|------------|-------------|
| 1-phase track   surface/suspended | White  | 1000·30·20 | 90014001    |
| 1-phase track   surface/suspended | Black  | 1000·30·20 | 90014007    |
| 1-phase track   recessed          | White  | 1000·50·20 | 90014118    |
| 1-phase track   recessed          | Black  | 1000·50·20 | 90014119    |

**Track Profile 2m**

| Type                              | Colour | L·W·H (MM) | Item number |
|-----------------------------------|--------|------------|-------------|
| 1-phase track   surface/suspended | White  | 2000·30·20 | 90014002    |
| 1-phase track   surface/suspended | Black  | 2000·30·20 | 90014008    |
| 1-phase track   recessed          | White  | 2000·50·20 | 90014120    |
| 1-phase track   recessed          | Black  | 2000·50·20 | 90014121    |

**Track Profile 3m**

| Type                              | Colour | L·W·H (MM) | Item number |
|-----------------------------------|--------|------------|-------------|
| 1-phase track   surface/suspended | White  | 3000·30·20 | 90014003    |
| 1-phase track   surface/suspended | Black  | 3000·30·20 | 90014009    |
| 1-phase track   recessed          | White  | 3000·50·20 | 90014122    |
| 1-phase track   recessed          | Black  | 3000·50·20 | 90014123    |