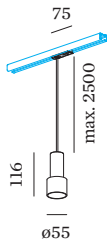




<b>PROJECT</b>
<b>TYPE</b>
<b>NOTES</b>
<b>QUANTITY</b>
<b>DATE</b>



Suspended luminaire for 1-phase tracks made from die-cast aluminium; track adapter with height adjustable cable system; surface White Matt wet painted; matt texture; lamp socket GU10; lamp type PAR16; max. 12W; 100 - 240 V; degree of protection IP20; Class 1; lamp not included;



**GENERAL**

Ceiling
Track Suspended
White Matt
IP20
Interior
CIE flux code: 94 98 100 100 100

**LED**

lamp PAR16
socket GU10
max. per socket 12.0 W
CRI ≥ 90

**ELECTRICAL**

incl. 1-phase Global track adapter
100 - 240 V
Class 1

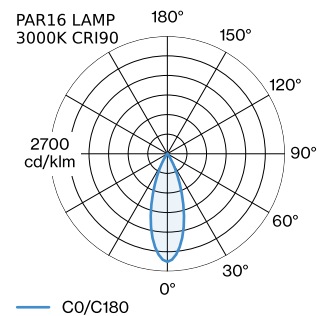
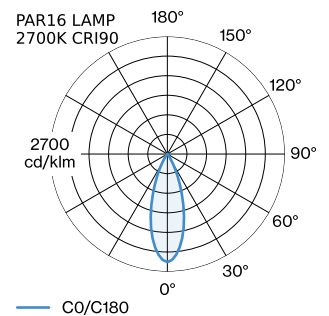
**PHYSICAL**

diameter 55 mm
height 116 mm
0.29 kg
adapter 75 mm
incl. 1-phase track adapter

**MEASURED LAMPS**

PAR16 LAMP 3000K CRI90
550 lm
6.5 W
PAR16 LAMP 2700K CRI90
505 lm
6.5 W

**LIGHT DISTRIBUTION**



[187120WWO] The technical data represent rated values for an ambient temperature of 25°C. The data values for the luminous flux are initially subject to a tolerance of +/- 10%, those for the electrical connected load are initially subject to a tolerance of +/- 10%, and those for the colour temperature are initially subject to a tolerance of +/- 150 K. No liability is assumed for typographical or printing errors. The general terms and conditions of Wever & Ducré BV apply.



## MOUNTING ACCESSORIES

### Adjustable Corner

Type	Colour	L·W·H (MM)	Item number
1-phase track	Black	81-81-20	90014041
1-phase track	White	81-81-20	90014042

### X-Connector

Type	Colour	L·W·H (MM)	Item number
1-phase track	White	145-145-20	90014049
1-phase track	Black	145-145-20	90014050

## TRACK ACCESSORIES

### Coverplate End Feed

Type	Colour	L·W (MM)	Item number
1-phase track   recessed	White	75-50	90014124
1-phase track   recessed	Black	75-50	90014125

### Coverplate I/L/T/X

Type	Colour	L·W (MM)	Item number
1-phase track   recessed	White	100-100	90014126
1-phase track   recessed	Black	100-100	90014127

### End Cap

Type	Colour	L·W·H (MM)	Item number
1-phase track   left/right	White	24-30-20	90014028
1-phase track   left/right	Black	24-30-20	90014029

### End Feed | left

Type	Colour	L·W·H (MM)	Item number
1-phase track	White	88-30-20	90014018
1-phase track	Black	88-30-20	90014019

### End Feed | right

Type	Colour	L·W·H (MM)	Item number
1-phase track	White	88-30-20	90014020
1-phase track	Black	88-30-20	90014021

### L-Connector

Type	Colour	L·W·H (MM)	Item number
1-phase track   left	White	88-55-20	90014024
1-phase track   left	Black	88-55-20	90014025
1-phase track   right	White	88-55-20	90014026
1-phase track   right	Black	88-55-20	90014027

### Middle Feed

Type	Colour	L·W·H (MM)	Item number
1-phase track   straight	White	145-30-20	90014036
1-phase track   straight	Black	145-30-20	90014037

### Mounting Bracket

Type	L·W·H (MM)	Item number
1-phase track   recessed	35-59-35	90014100


**Straight Connector**

Type	Colour	L-H (MM)	Item number
1-phase track   straight	White	65-17	90014022
1-phase track   straight	Black	65-17	90014023

**Suspension Set 1.5m**

Type	Colour	Ø-H (MM)	Item number
1-phase track   suspended	White	29-1500	90014101
1-phase track   suspended	Black	29-1500	90014102

**Suspension Set 3.0m**

Type	Colour	Ø-H (MM)	Item number
1-phase track   suspended	White	29-3000	90014103
1-phase track   suspended	Black	29-3000	90014104

**T-Connector 1.0**

Type	Colour	L-W-H (MM)	Item number
1-phase track	White	145-55-20	90014010
1-phase track	Black	145-55-20	90014011

**T-Connector 2.0**

Type	Colour	L-W-H (MM)	Item number
1-phase track	White	145-55-20	90014012
1-phase track	Black	145-55-20	90014013

**T-Connector 3.0**

Type	Colour	L-W-H (MM)	Item number
1-phase track	White	145-55-20	90014014
1-phase track	Black	145-55-20	90014015

**T-Connector 4.0**

Type	Colour	L-W-H (MM)	Item number
1-phase track	White	145-55-20	90014016
1-phase track	Black	145-55-20	90014017

**Track Adapter 1.0**

Type	Colour	L-H (MM)	Item number
1-phase track	Black	85-45	90014043
1-phase track	White	85-45	90014044

**ELECTRICAL ACCESSORIES**
**LED LAMPS**

Colour	Item number
Black Texture	W901228B3
Black Texture	W901228B5

**LAMPS**


**PAR16 LED Lamp**

Type	Colour	Ø·H (MM)	Item number
2700K   >90 CRI   GU10	White	50-60	901228W3
3000K   >90 CRI   GU10	White	50-60	901228W5
2700K   >80 CRI   GU10	Silver	50-60	905227S2
3000K   >80 CRI   GU10	Silver	50-60	905227S4

**TRACKS**
**Track Profile 1m**

Type	Colour	L·W·H (MM)	Item number
1-phase track   surface/suspended	White	1000·30·20	90014001
1-phase track   surface/suspended	Black	1000·30·20	90014007
1-phase track   recessed	White	1000·50·20	90014118
1-phase track   recessed	Black	1000·50·20	90014119

**Track Profile 2m**

Type	Colour	L·W·H (MM)	Item number
1-phase track   surface/suspended	White	2000·30·20	90014002
1-phase track   surface/suspended	Black	2000·30·20	90014008
1-phase track   recessed	White	2000·50·20	90014120
1-phase track   recessed	Black	2000·50·20	90014121

**Track Profile 3m**

Type	Colour	L·W·H (MM)	Item number
1-phase track   surface/suspended	White	3000·30·20	90014003
1-phase track   surface/suspended	Black	3000·30·20	90014009
1-phase track   recessed	White	3000·50·20	90014122
1-phase track   recessed	Black	3000·50·20	90014123