



PROJECT _____

TYPE _____

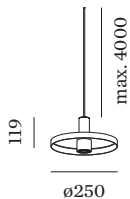
NOTES _____

QUANTITY _____

DATE _____



Ceiling suspended luminaire made from aluminium; surface Gold + Black Matt wet painted; matt texture; inclusive adjustable cable suspension max. 4000mm in Signal Black; lamp socket GU10; lamp type PAR16; max. 12W; 100 - 240 V; degree of protection IP20; Class 1; ceiling base not included;



GENERAL

Ceiling _____
 Suspended _____
 Gold + Black Matt _____
 IP20 _____
 Interior _____
 CIE flux code: 94 98 100 100 _____
 100 _____

LED

lamp PAR16 _____
 socket GU10 _____
 max. per socket 12.0 W _____
 CRI ≥ 90 _____

ELECTRICAL

100 - 240 V _____
 Class 1 _____

PHYSICAL

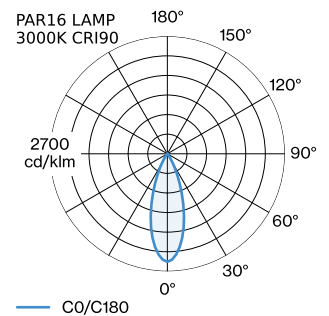
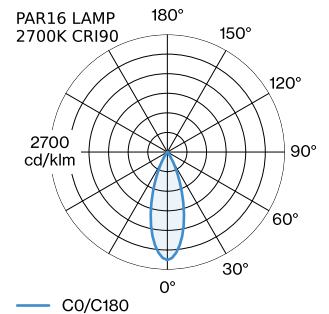
diameter 250 mm _____
 height 119 mm _____
 0.47 kg _____

MEASURED LAMPS

PAR16 LAMP 2700K CRI90 _____
 460 lm _____
 6.5 W _____

PAR16 LAMP 3000K CRI90 _____
 480 lm _____
 6.5 W _____

LIGHT DISTRIBUTION



[‘287220GB0’] The technical data represent rated values for an ambient temperature of 25°C. The data values for the luminous flux are initially subject to a tolerance of +/- 10%, those for the electrical connected load are initially subject to a tolerance of +/- 10%, and those for the colour temperature are initially subject to a tolerance of +/- 150 K. No liability is assumed for typographical or printing errors. The general terms and conditions of Wever & Ducré BV apply.


MOUNTING ACCESSORIES
Cable Wall-Ceiling Bracket

Colour	Ø·H (MM)	Item number
White	16-30	90019197
Black	16-30	90019198

Hook

Type	Colour	Ø·H (MM)	Item number
standard multi suspension hook	Black	3-83	90052024
standard multi suspension hook	White	3-83	90052025
optional multi suspension hook	Black	5-90	90052065
optional multi suspension hook	White	5-90	90052066
for cable 4.25-5.5mm diameter	White	15-35	90052079
for cable 4.25-5.5mm diameter	Black	15-35	90052080

Invisible ceiling base

Colour	L·W (MM)	Item number
Black	140-66	90015195
White	140-66	90015196

Multiple base linear

Type	Colour	L·W·H (MM)	Item number
up to max. 2 luminaires	White	600-30-45	90052007
up to max. 2 luminaires	Black	600-30-45	90052008
up to max. 3 luminaires	White	900-30-45	90052009
up to max. 3 luminaires	Black	900-30-45	90052010
up to max. 4 luminaires	White	1200-30-45	90052011
up to max. 4 luminaires	Black	1200-30-45	90052012
up to max. 5 luminaires	White	1500-30-45	90052013
up to max. 5 luminaires	Black	1500-30-45	90052014

Multiple base round

Type	Colour	Ø·H (MM)	Item number
up to max. 4 luminaires	White	123-44	90052005
up to max. 4 luminaires	Black	123-44	90052006
up to max. 8 luminaires	White	123-44	90052031
up to max. 8 luminaires	Black	123-44	90052032

Semi recessed base

Type	Colour	Ø·H (MM)	Item number
for shades without steel wire only	White	84-72	90052026
for shades without steel wire only	Black	84-72	90052027

Single base

Type	Colour	Ø·H (MM)	Item number
ceiling base round	Black	84-29	90052021
ceiling base round	White	84-29	90052022

Wall Base

Type	Colour	Ø·H (MM)	Item number
for 1 luminaire	White	82-32	90019195
for 1 luminaire	Black	82-32	90019196

ELECTRICAL ACCESSORIES

[287220GBO] The technical data represent rated values for an ambient temperature of 25°C. The data values for the luminous flux are initially subject to a tolerance of +/- 10%, those for the electrical connected load are initially subject to a tolerance of +/- 10%, and those for the colour temperature are initially subject to a tolerance of +/- 150 K. No liability is assumed for typographical or printing errors. The general terms and conditions of Wever & Ducré BV apply.

287220GB0



LED LAMPS

Colour

Black Texture
Black Texture

Item number

W901228B3
W901228B5

LAMPS

PAR16 LED Lamp

Type

2700K | >90 CRI | GU10
3000K | >90 CRI | GU10
2700K | >80 CRI | GU10
3000K | >80 CRI | GU10

Colour

White
White
Silver
Silver

Ø·H (MM)

50-60
50-60
50-60
50-60

Item number

901228W3
901228W5
905227S2
905227S4

TRACK ACCESSORIES

Track Adapter 2.0

Type

1-phase track
1-phase track

Colour

White
Black

L·W·H (MM)

80-24-26
80-24-26

Item number

90014277
90014278