



PROJECT _____

TYPE _____

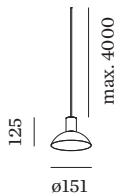
NOTES _____

QUANTITY _____

DATE _____



Ceiling suspended luminaire made from aluminium; surface Gold wet painted; matt texture; inclusive adjustable cable suspension max. 4000mm in Signal Black; lamp socket GU10; lamp type PAR16; max. 12W; 100 - 240 V; degree of protection IP20; Class 1; ceiling base not included;



GENERAL

Ceiling _____
 Suspended _____
 Gold _____
 IP20 _____
 Interior _____
 CIE flux code: 94 98 100 100 _____
 100 _____

LED

lamp PAR16 _____
 socket GU10 _____
 max. per socket 12.0 W _____
 CRI ≥ 90 _____

ELECTRICAL

100 - 240 V _____
 Class 1 _____

PHYSICAL

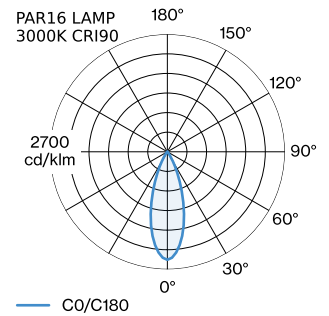
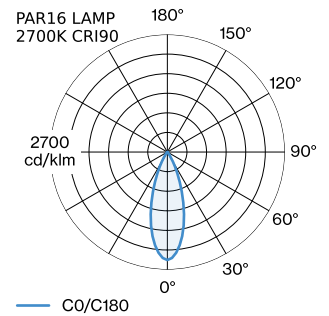
diameter 151 mm _____
 height 125 mm _____
 0.3 kg _____

MEASURED LAMPS

PAR16 LAMP 3000K CRI90 _____
 480 lm _____
 6.5 W _____

PAR16 LAMP 2700K CRI90 _____
 460 lm _____
 6.5 W _____

LIGHT DISTRIBUTION



[‘287720GGO’] The technical data represent rated values for an ambient temperature of 25°C. The data values for the luminous flux are initially subject to a tolerance of +/- 10%, those for the electrical connected load are initially subject to a tolerance of +/- 10%, and those for the colour temperature are initially subject to a tolerance of +/- 150 K. No liability is assumed for typographical or printing errors. The general terms and conditions of Wever & Ducré BV apply.


MOUNTING ACCESSORIES
Cable Wall-Ceiling Bracket

Colour	Ø·H (MM)	Item number
White	16·30	90019197
Black	16·30	90019198

Hook

Type	Colour	Ø·H (MM)	Item number
standard multi suspension hook	Black	3·83	90052024
standard multi suspension hook	White	3·83	90052025
optional multi suspension hook	Black	5·90	90052065
optional multi suspension hook	White	5·90	90052066
for cable 4.25-5.5mm diameter	White	15·35	90052079
for cable 4.25-5.5mm diameter	Black	15·35	90052080

Invisible ceiling base

Colour	L·W (MM)	Item number
Black	140·66	90015195
White	140·66	90015196

Multiple base linear

Type	Colour	L·W·H (MM)	Item number
up to max. 2 luminaires	White	600·30·45	90052007
up to max. 2 luminaires	Black	600·30·45	90052008
up to max. 3 luminaires	White	900·30·45	90052009
up to max. 3 luminaires	Black	900·30·45	90052010
up to max. 4 luminaires	White	1200·30·45	90052011
up to max. 4 luminaires	Black	1200·30·45	90052012
up to max. 5 luminaires	White	1500·30·45	90052013
up to max. 5 luminaires	Black	1500·30·45	90052014

Multiple base round

Type	Colour	Ø·H (MM)	Item number
up to max. 4 luminaires	White	123·44	90052005
up to max. 4 luminaires	Black	123·44	90052006
up to max. 8 luminaires	White	123·44	90052031
up to max. 8 luminaires	Black	123·44	90052032

Semi recessed base

Type	Colour	Ø·H (MM)	Item number
for shades without steel wire only	White	84·72	90052026
for shades without steel wire only	Black	84·72	90052027

Single base

Type	Colour	Ø·H (MM)	Item number
ceiling base round	Black	84·29	90052021
ceiling base round	White	84·29	90052022

Wall Base

Type	Colour	Ø·H (MM)	Item number
for 1 luminaire	White	82·32	90019195
for 1 luminaire	Black	82·32	90019196

OPTICAL ACCESSORIES

[287720GG0] The technical data represent rated values for an ambient temperature of 25°C. The data values for the luminous flux are initially subject to a tolerance of +/- 10%, those for the electrical connected load are initially subject to a tolerance of +/- 10%, and those for the colour temperature are initially subject to a tolerance of +/- 150 K. No liability is assumed for typographical or printing errors. The general terms and conditions of Wever & Ducré BV apply.

287720GG0



Inner cover

Type	Colour	Ø-H (MM)	Item number
suitable for ODREY 1.6 1.7	Black	55-42	911420B0
suitable for ODREY 1.6 1.7	Gold	55-42	911420G0
suitable for ODREY 1.6 1.7	White	55-42	911420W0

ELECTRICAL ACCESSORIES

LED LAMPS

Colour	Item number
Black Texture	W901228B3
Black Texture	W901228B5

LAMPS

PAR16 LED Lamp

Type	Colour	Ø-H (MM)	Item number
2700K >90 CRI GU10	White	50-60	901228W3
3000K >90 CRI GU10	White	50-60	901228W5
2700K >80 CRI GU10	Silver	50-60	905227S2
3000K >80 CRI GU10	Silver	50-60	905227S4

TRACK ACCESSORIES

Track Adapter 2.0

Type	Colour	L-W-H (MM)	Item number
1-phase track	White	80-24-26	90014277
1-phase track	Black	80-24-26	90014278

[‘287720GG0’] The technical data represent rated values for an ambient temperature of 25°C. The data values for the luminous flux are initially subject to a tolerance of +/- 10%, those for the electrical connected load are initially subject to a tolerance of +/- 10%, and those for the colour temperature are initially subject to a tolerance of +/- 150 K. No liability is assumed for typographical or printing errors. The general terms and conditions of Wever & Ducré BV apply.