



**PROJECT**

---

**TYPE**

---

**NOTES**

---

**QUANTITY**

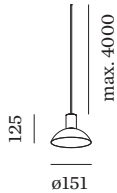
---

**DATE**

---



Ceiling suspended luminaire made from aluminium; surface White Matt + Gold wet painted; matt texture; inclusive adjustable cable suspension max. 4000mm in Pure White; lamp socket GU10; lamp type PAR16; max. 12W; 100 - 240 V; degree of protection IP20; Class 1; ceiling base not included;



**GENERAL**

Ceiling  
Suspended  
White Matt + Gold  
IP20  
Interior  
CIE flux code: 94 98 100 100 100

**MEASURED LAMPS**

PAR16 LAMP 2700K CRI90  
505 lm  
6.5 W

PAR16 LAMP 3000K CRI90  
550 lm  
6.5 W

**LED**

lamp PAR16  
socket GU10  
max. per socket 12.0 W  
CRI ≥ 90

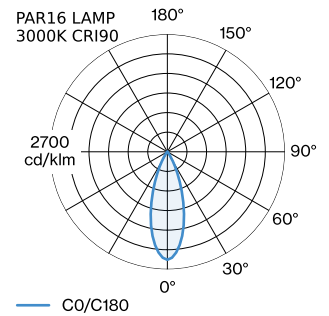
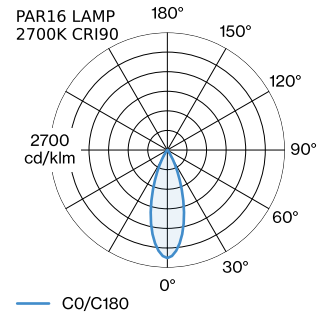
**ELECTRICAL**

100 - 240 V  
Class 1

**PHYSICAL**

diameter 151 mm  
height 125 mm  
0.3 kg

**LIGHT DISTRIBUTION**



[‘287720WGO’] The technical data represent rated values for an ambient temperature of 25°C. The data values for the luminous flux are initially subject to a tolerance of +/- 10%, those for the electrical connected load are initially subject to a tolerance of +/- 10%, and those for the colour temperature are initially subject to a tolerance of +/- 150 K. No liability is assumed for typographical or printing errors. The general terms and conditions of Wever & Ducré BV apply.


**MOUNTING ACCESSORIES**
**Cable Wall-Ceiling Bracket**

Colour	Ø·H (MM)	Item number
White	16-30	90019197
Black	16-30	90019198

**Hook**

Type	Colour	Ø·H (MM)	Item number
standard multi suspension hook	Black	3-83	90052024
standard multi suspension hook	White	3-83	90052025
optional multi suspension hook	Black	5-90	90052065
optional multi suspension hook	White	5-90	90052066
for cable 4.25-5.5mm diameter	White	15-35	90052079
for cable 4.25-5.5mm diameter	Black	15-35	90052080

**Invisible ceiling base**

Colour	L·W (MM)	Item number
Black	140-66	90015195
White	140-66	90015196

**Multiple base linear**

Type	Colour	L·W·H (MM)	Item number
up to max. 2 luminaires	White	600-30-45	90052007
up to max. 2 luminaires	Black	600-30-45	90052008
up to max. 3 luminaires	White	900-30-45	90052009
up to max. 3 luminaires	Black	900-30-45	90052010
up to max. 4 luminaires	White	1200-30-45	90052011
up to max. 4 luminaires	Black	1200-30-45	90052012
up to max. 5 luminaires	White	1500-30-45	90052013
up to max. 5 luminaires	Black	1500-30-45	90052014

**Multiple base round**

Type	Colour	Ø·H (MM)	Item number
up to max. 4 luminaires	White	123-44	90052005
up to max. 4 luminaires	Black	123-44	90052006
up to max. 8 luminaires	White	123-44	90052031
up to max. 8 luminaires	Black	123-44	90052032

**Semi recessed base**

Type	Colour	Ø·H (MM)	Item number
for shades without steel wire only	White	84-72	90052026
for shades without steel wire only	Black	84-72	90052027

**Single base**

Type	Colour	Ø·H (MM)	Item number
ceiling base round	Black	84-29	90052021
ceiling base round	White	84-29	90052022

**Wall Base**

Type	Colour	Ø·H (MM)	Item number
for 1 luminaire	White	82-32	90019195
for 1 luminaire	Black	82-32	90019196

**OPTICAL ACCESSORIES**

[287720WGO] The technical data represent rated values for an ambient temperature of 25°C. The data values for the luminous flux are initially subject to a tolerance of +/- 10%, those for the electrical connected load are initially subject to a tolerance of +/- 10%, and those for the colour temperature are initially subject to a tolerance of +/- 150 K. No liability is assumed for typographical or printing errors. The general terms and conditions of Wever & Ducré BV apply.



**Inner cover**

Type	Colour	Ø-H (MM)	Item number
suitable for ODREY 1.6   1.7	Black	55-42	911420B0
suitable for ODREY 1.6   1.7	Gold	55-42	911420G0
suitable for ODREY 1.6   1.7	White	55-42	911420W0

**ELECTRICAL ACCESSORIES**

**LED LAMPS**

Colour	Item number
Black Texture	W901228B3
Black Texture	W901228B5

**LAMPS**

**PAR16 LED Lamp**

Type	Colour	Ø-H (MM)	Item number
2700K   >90 CRI   GU10	White	50-60	901228W3
3000K   >90 CRI   GU10	White	50-60	901228W5
2700K   >80 CRI   GU10	Silver	50-60	905227S2
3000K   >80 CRI   GU10	Silver	50-60	905227S4

**TRACK ACCESSORIES**

**Track Adapter 2.0**

Type	Colour	L·W·H (MM)	Item number
1-phase track	White	80-24-26	90014277
1-phase track	Black	80-24-26	90014278