



PROJECT _____

TYPE _____

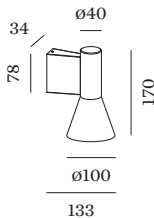
NOTES _____

QUANTITY _____

DATE _____



Wall surface luminaire made from die-cast aluminium; surface White Matt wet painted; matt texture; up or down light emission; lamp socket GU10; lamp type PAR16; max. 12W; 100 - 240 V; degree of protection IP20; Class 1; lamp not included;



GENERAL

Wall _____
 Surface _____
 White Matt _____
 IP20 _____
 Interior _____
 direct 460 500 lm _____
 total 460 500 lm _____

LED

lamp PAR16 _____
 socket GU10 _____
 max. per socket 12.0 W _____
 CRI ≥ 90 _____

ELECTRICAL

100 - 240 V _____
 Class 1 _____

PHYSICAL

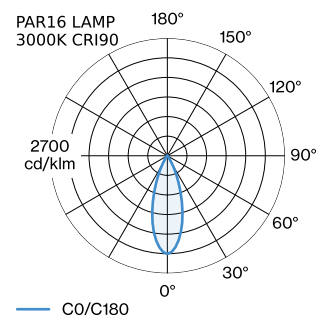
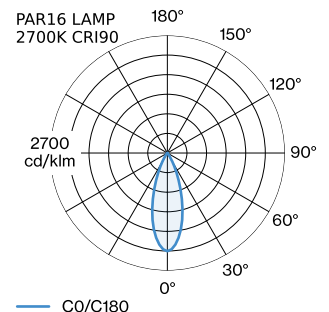
diameter 100 mm _____
 height 170 mm _____
 0.8 kg _____

MEASURED LAMPS

PAR16 LAMP 2700K CRI90 _____
 6.5 W _____

PAR16 LAMP 3000K CRI90 _____
 6.5 W _____

LIGHT DISTRIBUTION



387120WWO



ELECTRICAL ACCESSORIES

LED LAMPS

Colour	Item number
Black Texture	W901228B3
Black Texture	W901228B5

LAMPS

PAR16 LED Lamp

Type	Colour	Ø·H (MM)	Item number
2700K >90 CRI GU10	White	50·60	901228W3
3000K >90 CRI GU10	White	50·60	901228W5
2700K >80 CRI GU10	Silver	50·60	905227S2
3000K >80 CRI GU10	Silver	50·60	905227S4