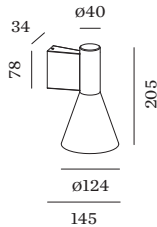




PROJECT
TYPE
NOTES
QUANTITY
DATE



Wall surface luminaire made from die-cast aluminium; surface Gold + Black Matt wet painted; matt texture; up or down light emission; lamp socket GU10; lamp type PAR16; max. 12W; 100 - 240 V; degree of protection IP20; Class 1; lamp not included;



GENERAL

Wall
Surface
Gold + Black Matt
IP20
Interior
direct 395 380 lm
total 395 380 lm

LED

lamp PAR16
socket GU10
max. per socket 12.0 W
CRI ≥ 90

ELECTRICAL

100 - 240 V
Class 1

PHYSICAL

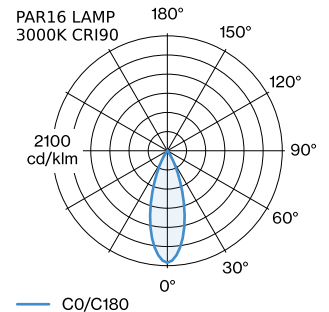
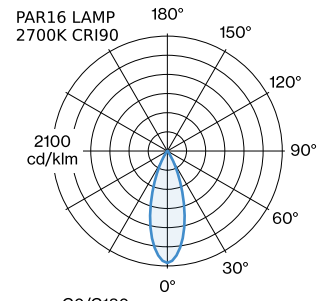
diameter 124 mm
height 205 mm
0.34 kg

MEASURED LAMPS

PAR16 LAMP 3000K CRI90
6.5 W

PAR16 LAMP 2700K CRI90
6.5 W

LIGHT DISTRIBUTION



[‘387220GB0’] The technical data represent rated values for an ambient temperature of 25°C. The data values for the luminous flux are initially subject to a tolerance of +/- 10%, those for the electrical connected load are initially subject to a tolerance of +/- 10%, and those for the colour temperature are initially subject to a tolerance of +/- 150 K. No liability is assumed for typographical or printing errors. The general terms and conditions of Wever & Ducré BV apply.

387220GB0



ELECTRICAL ACCESSORIES

LED LAMPS

Colour	Item number
Black Texture	W901228B3
Black Texture	W901228B5

LAMPS

PAR16 LED Lamp

Type	Colour	Ø·H (MM)	Item number
2700K >90 CRI GU10	White	50·60	901228W3
3000K >90 CRI GU10	White	50·60	901228W5
2700K >80 CRI GU10	Silver	50·60	905227S2
3000K >80 CRI GU10	Silver	50·60	905227S4