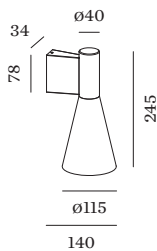




<b>PROJECT</b>
<b>TYPE</b>
<b>NOTES</b>
<b>QUANTITY</b>
<b>DATE</b>



Wall surface luminaire made from die-cast aluminium; surface Gold + Black Matt wet painted; matt texture; up or down light emission; lamp socket GU10; lamp type PAR16; max. 12W; 100 - 240 V; degree of protection IP20; Class 1; lamp not included;



**GENERAL**

Wall
Surface
Gold + Black Matt
IP20
Interior
direct 350 340 lm
total 350 340 lm

**MEASURED LAMPS**

PAR16 LAMP 2700K CRI90
6.5 W
PAR16 LAMP 3000K CRI90
6.5 W

**LED**

lamp PAR16
socket GU10
max. per socket 12.0 W
CRI ≥ 90

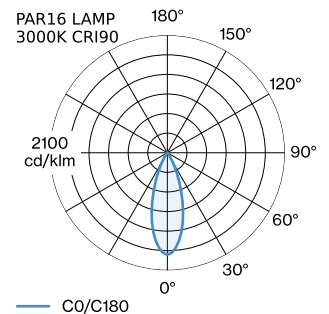
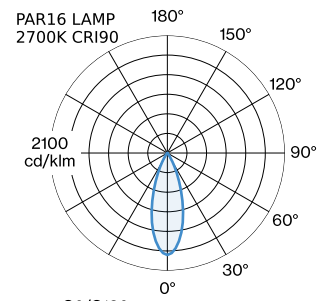
**ELECTRICAL**

100 - 240 V
Class 1

**PHYSICAL**

diameter 115 mm
height 245 mm
0.36 kg

**LIGHT DISTRIBUTION**



[‘387320GB0’] The technical data represent rated values for an ambient temperature of 25°C. The data values for the luminous flux are initially subject to a tolerance of +/- 10%, those for the electrical connected load are initially subject to a tolerance of +/- 10%, and those for the colour temperature are initially subject to a tolerance of +/- 150 K. No liability is assumed for typographical or printing errors. The general terms and conditions of Wever & Ducré BV apply.



**ELECTRICAL ACCESSORIES**

**LED LAMPS**

Colour	Item number
Black Texture	W901228B3
Black Texture	W901228B5

**LAMPS**

**PAR16 LED Lamp**

Type	Colour	Ø·H (MM)	Item number
2700K   >90 CRI   GU10	White	50·60	901228W3
3000K   >90 CRI   GU10	White	50·60	901228W5
2700K   >80 CRI   GU10	Silver	50·60	905227S2
3000K   >80 CRI   GU10	Silver	50·60	905227S4