



PROJECT

TYPE

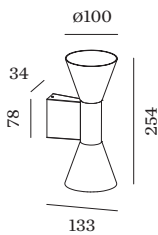
NOTES

QUANTITY

DATE



Wall surface luminaire made from die-cast aluminium; surface Gold + Black Matt wet painted; matt texture; up and down light emission; lamp socket GU10; lamp type PAR16; max. 12W; 100 - 240 V; degree of protection IP20; Class 1; lamp not included;



GENERAL

Wall
 Surface
 Gold + Black Matt
 IP20
 Interior
 indirect 460 480 lm
 direct 460 480 lm
 total 920 960 lm

MEASURED LAMPS

PAR16 LAMP 3000K CRI90
 13 W
 PAR16 LAMP 2700K CRI90
 13 W

LED

lamp PAR16
 socket GU10
 max. per socket 12.0 W
 CRI ≥ 90

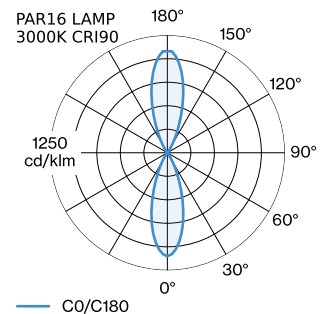
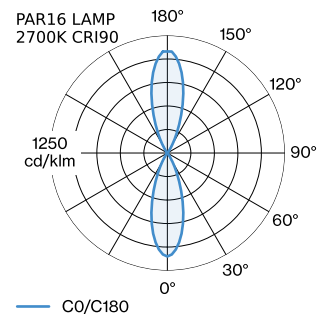
ELECTRICAL

100 - 240 V
 Class 1

PHYSICAL

diameter 100 mm
 height 254 mm
 0.41 kg

LIGHT DISTRIBUTION



[‘387420GB0’] The technical data represent rated values for an ambient temperature of 25°C. The data values for the luminous flux are initially subject to a tolerance of +/- 10%, those for the electrical connected load are initially subject to a tolerance of +/- 10%, and those for the colour temperature are initially subject to a tolerance of +/- 150 K. No liability is assumed for typographical or printing errors. The general terms and conditions of Wever & Ducré BV apply.



ELECTRICAL ACCESSORIES

LED LAMPS

Colour	Item number
Black Texture	W901228B3
Black Texture	W901228B5

LAMPS

PAR16 LED Lamp

Type	Colour	Ø·H (MM)	Item number
2700K >90 CRI GU10	White	50·60	901228W3
3000K >90 CRI GU10	White	50·60	901228W5
2700K >80 CRI GU10	Silver	50·60	905227S2
3000K >80 CRI GU10	Silver	50·60	905227S4