



**PROJECT** \_\_\_\_\_

**TYPE** \_\_\_\_\_

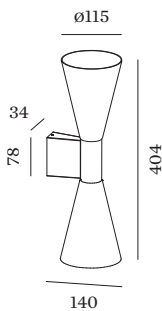
**NOTES** \_\_\_\_\_

**QUANTITY** \_\_\_\_\_

**DATE** \_\_\_\_\_



Wall surface luminaire made from die-cast aluminium; surface Gold + Black Matt wet painted; matt texture; up and down light emission; lamp socket GU10; lamp type PAR16; max. 12W; 100 - 240 V; degree of protection IP20; Class 1; lamp not included;



**GENERAL**

Wall \_\_\_\_\_  
 Surface \_\_\_\_\_  
 Gold + Black Matt \_\_\_\_\_  
 IP20 \_\_\_\_\_  
 Interior \_\_\_\_\_  
 indirect 480 460 lm \_\_\_\_\_  
 direct 480 460 lm \_\_\_\_\_  
 total 960 920 lm \_\_\_\_\_

**LED**

lamp PAR16 \_\_\_\_\_  
 socket GU10 \_\_\_\_\_  
 max. per socket 12.0 W \_\_\_\_\_  
 CRI ≥ 90 \_\_\_\_\_

**ELECTRICAL**

100 - 240 V \_\_\_\_\_  
 Class 1 \_\_\_\_\_

**PHYSICAL**

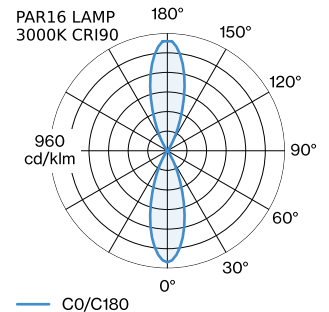
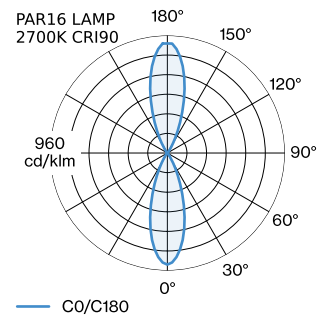
diameter 115 mm \_\_\_\_\_  
 height 404 mm \_\_\_\_\_  
 0.54 kg \_\_\_\_\_

**MEASURED LAMPS**

PAR16 LAMP 3000K CRI90 \_\_\_\_\_  
 13 W \_\_\_\_\_

PAR16 LAMP 2700K CRI90 \_\_\_\_\_  
 13 W \_\_\_\_\_

**LIGHT DISTRIBUTION**



[‘387620GB0’] The technical data represent rated values for an ambient temperature of 25°C. The data values for the luminous flux are initially subject to a tolerance of +/- 10%, those for the electrical connected load are initially subject to a tolerance of +/- 10%, and those for the colour temperature are initially subject to a tolerance of +/- 150 K. No liability is assumed for typographical or printing errors. The general terms and conditions of Wever & Ducré BV apply.

387620GB0



## ELECTRICAL ACCESSORIES

### LED LAMPS

| Colour        | Item number |
|---------------|-------------|
| Black Texture | W901228B3   |
| Black Texture | W901228B5   |

## LAMPS

### PAR16 LED Lamp

| Type                   | Colour | Ø·H (MM) | Item number |
|------------------------|--------|----------|-------------|
| 2700K   >90 CRI   GU10 | White  | 50·60    | 901228W3    |
| 3000K   >90 CRI   GU10 | White  | 50·60    | 901228W5    |
| 2700K   >80 CRI   GU10 | Silver | 50·60    | 905227S2    |
| 3000K   >80 CRI   GU10 | Silver | 50·60    | 905227S4    |