



PROJECT _____

TYPE _____

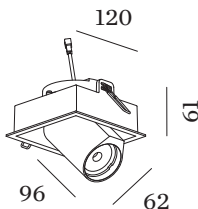
NOTES _____

QUANTITY _____

DATE _____



Squared ceiling recessed downlight made from die-cast aluminium; adjustable; surface Black Matt; powder coated, matt texture; RAL 9005; installation without tools using wire springs; suitable for ceiling thickness of 4-25 mm; recessed depth 75 mm; with COB (Chip on Board) technology for maximum efficiency; light colour 2000 K - 3000 K colour warm dimming; binning initial MacAdam ≤ 3 SDCM; CRI ≥ 90 ; beam angle 38°; 355° rotatable and 60° tiltable; degree of protection IP20; Class 3; IC rated; driver not included; light source replaceable by Wever & Ducré or by a professional with explicit authorization;



GENERAL

Ceiling _____
 Semi-Recessed _____
 tilt max 60 ° _____
 rotation 355 ° _____
 Black Matt _____
 RAL 9005 ^a _____
 IP20 _____
 IC rated _____
 Interior _____
 CIE flux code: 87 98 100 100 _____
 100 _____

LED

colour warm dimming _____
 2000 K - 3000 K _____
 CRI ≥ 90 _____
 L70 / 50000h _____
 initial MacAdam ≤ 3 SDCM _____

OPTICAL

Standard _____
 beam angle 38° _____

ELECTRICAL

excl. driver _____
 17 V _____
 inset 8.3 5.7 W _____
 Class 3 _____

PHYSICAL

length 120 mm _____
 width 120 mm _____
 height 61 mm _____
 0.47 kg _____
 wire springs _____

CUTOUT

length 111 mm _____
 width 111 mm _____
 min. ceiling thickness 4 mm _____
 max. ceiling thickness 25 mm _____
 recessed depth 75 mm _____

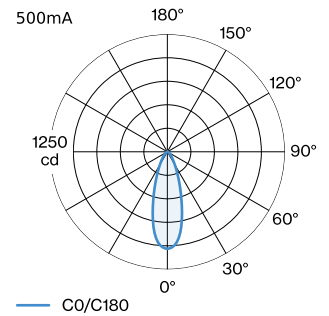
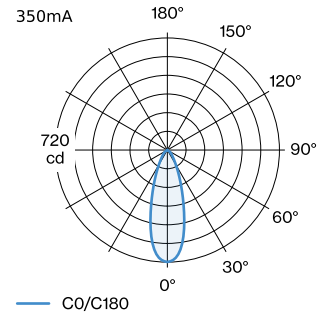
^a Colour may deviate slightly due to production conditions.

MEASURED DRIVERS

500mA _____
 505 lm _____
 11.5 W _____

350mA _____
 350 lm _____
 7.9 W _____

LIGHT DISTRIBUTION





CONE DIAGRAM

standard 33° 350mA			standard 33° 500mA		
h (m)	E0° (lx)	ø (m)	h (m)	E0° (lx)	ø (m)
1	719	0.60	1	1030	0.60
2	180	1.20	2	260	1.20
3	80	1.80	3	110	1.80
4	45	2.41	4	60	2.41
5	29	3.01	5	40	3.01

Maintenance Factor

Operating Time [h]	10.000	20.000	30.000	40.000	50.000
LLMF	0.95	0.91	0.86	0.82	0.77
LSF	1	1	1	1	1

MF	$LMF \times RSMF \times LLMF \times LSF$	RSMF ^a	Room Surface Maintenance Factor
MF	Maintenance Factor	LLMF	Lamp Lumens Maintenance Factor
LMF ^a	Luminaire Maintenance Factor	LSF	Lamp Survival Factor

^aAccording to "CIE 97, Maintenance of indoor electric lighting systems", 2005, ISBN 3-900-734-34-8. The values must be determined by the planner.

ELECTRICAL ACCESSORIES

Driver

Type	Voltage	L·W·H (MM)	Item number
10W 500mA 11-20V	11-20V	100-43-23	90214405
10W 500mA 13-20V	13-20V	65-39-20	90214406
10W 500mA 3-20V phase-cut dim	3-20V	102-49-29	90224402
10W 500mA 12-21V	12-21V	115-41-25	90224403
20W 500mA 3-40V DALI	3-40V	116-40.5-22	90244604
24W 500mA 6-49V	6-49V	143-43-30	90244701

[125461B9] The technical data represent rated values for an ambient temperature of 25°C. The data values for the luminous flux are initially subject to a tolerance of +/- 10%, those for the electrical connected load are initially subject to a tolerance of +/- 10%, and those for the colour temperature are initially subject to a tolerance of +/- 150 K. No liability is assumed for typographical or printing errors. The general terms and conditions of Wever & Ducré BV apply.