



PROJECT _____

TYPE _____

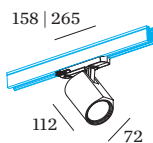
NOTES _____

QUANTITY _____

DATE _____



3-phase tracks spotlight made from die-cast aluminium; surface Black Matt; powder coated; matt texture; polycarbonate track adapter in Signal Black; inner ring black; spotlight head 360° rotatable and 90° tiltable; beam angle 24°; with COB (Chip on Board) technology for maximum efficiency; light colour 4000 K; binning initial MacAdam ≤ 2 SDCM; CRI ≥ 90; 220 - 240 V; degree of protection IP20; Class 2; UGR ≤ 19; light source replaceable by Wever & Ducré or by a professional with explicit authorization;



GENERAL

Ceiling _____
 Track _____
 tilt max 90 ° _____
 rotation 360 ° _____
 Black Matt _____
 RAL 9005 ^a _____
 IP20 _____
 Interior _____
 CIE flux code: 98 100 100 100 100 _____

LED

4000 K _____
 CRI ≥ 90 _____
 L80 / 50000h _____
 initial MacAdam ≤ 2 SDCM _____

OPTICAL

Standard _____
 beam angle 24° _____

ELECTRICAL

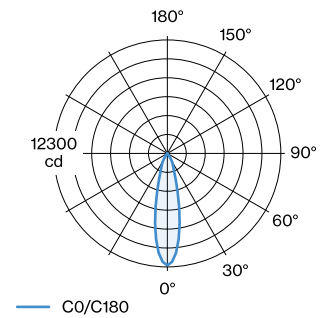
DALI-2 _____
 220 - 240 V _____
 35 W _____
 Class 2 _____

PHYSICAL

diameter 72 mm _____
 height 112 mm _____
 0.63 kg _____
 adapter 265 mm _____
 incl. 3-phase track adapter _____

^a Colour may deviate slightly due to production conditions.

LIGHT DISTRIBUTION



[166965B7] The technical data represent rated values for an ambient temperature of 25°C. The data values for the luminous flux are initially subject to a tolerance of +/- 10%, those for the electrical connected load are initially subject to a tolerance of +/- 10%, and those for the colour temperature are initially subject to a tolerance of +/- 150 K. No liability is assumed for typographical or printing errors. The general terms and conditions of Wever & Ducré BV apply.



CONE DIAGRAM

standard 24°

h (m)	E0° (lx)	ø (m)
1	12100	0.43
2	3000	0.87
3	1300	1.30
4	800	1.74
5	500	2.17

TRACK ACCESSORIES

Cutting tool

Type	Item number
3-phase track and 48V track	90014165

End Cap

Type	Colour	L·W·H (MM)	Item number
3-phase track left/right	White	32·32·38	90014216
3-phase track left/right	Black	32·32·38	90014217

End Feed | left

Type	Colour	L·W·H (MM)	Item number
3-phase track	White	148·32·38	90014238
3-phase track	Black	148·32·38	90014239

End Feed | right

Type	Colour	L·W·H (MM)	Item number
3-phase track	White	148·32·38	90014240
3-phase track	Black	148·32·38	90014241

Flexible Connector

Type	Colour	L·W·H (MM)	Item number
3-phase track	White	143·143·38	90014288
3-phase track	Black	143·38·31	90014289

Hook

Type	Colour	L·W·H (MM)	Item number
3-phase track	White	26·28·48	90014284
3-phase track	Black	26·28·48	90014285

L-Connector 1.0

Type	Colour	L·W·H (MM)	Item number
3-phase track left	White	143·140·38	90014220
3-phase track left	Black	143·140·38	90014221

L-Connector 2.0

Type	Colour	L·W·H (MM)	Item number
3-phase track right	White	143·140·38	90014222
3-phase track right	Black	143·140·38	90014223


Middle Feed

Type	Colour	L-H (MM)	Item number
3-phase track straight	White	253-38	90014224
3-phase track straight	Black	253-38	90014225

Straight Connector

Type	Colour	L-W-H (MM)	Item number
3-phase track straight	White	115-25-33	90014226
3-phase track straight	Black	115-25-33	90014227

Suspension Set 1.5m

Type	Colour	Ø-H (MM)	Item number
3-phase track suspended	White	32-1500	90014206
3-phase track suspended	Black	32-1500	90014207

Suspension Set 3.0m

Type	Colour	Ø-H (MM)	Item number
3-phase track suspended	White	32-3000	90014208
3-phase track suspended	Black	32-3000	90014209

T-Connector 1.0

Type	Colour	L-W-H (MM)	Item number
3-phase track	White	254-143-38	90014228
3-phase track	Black	254-143-38	90014229

T-Connector 2.0

Type	Colour	L-W-H (MM)	Item number
3-phase track	White	254-143-38	90014230
3-phase track	Black	254-143-38	90014231

T-Connector 3.0

Type	Colour	L-W-H (MM)	Item number
3-phase track	White	254-143-38	90014232
3-phase track	Black	254-143-38	90014233

T-Connector 4.0

Type	Colour	L-W-H (MM)	Item number
3-phase track	White	254-143-38	90014234
3-phase track	Black	254-143-38	90014235

Track Adapter

Type	Colour	Item number
3-phase track	White	90014279
3-phase track	Black	90014280

Track Cover

Type	Colour	L-W (MM)	Item number
3-phase track 1.0 m	White	1000-26	90014236
3-phase track 1.0 m	Black	1000-26	90014237

166965B7

X-Feed

Type	Colour	L·W·H (MM)	Item number
3-phase track	White	254·254·38	90014248
3-phase track	Black	254·254·38	90014249

OPTICAL ACCESSORIES
Honeycomb Louver

Type	Colour	Ø (MM)	Item number
CENO fort on track 3 phase	Black	61	90051132

TRACKS
Track Profile 1m

Type	Colour	L·W·H (MM)	Item number
3-phase track surface/suspended	White	1000·32·38	90014200
3-phase track surface/suspended	Black	1000·32·38	90014201

Track Profile 2m

Type	Colour	L·W·H (MM)	Item number
3-phase track surface/suspended	White	2000·32·38	90014202
3-phase track surface/suspended	Black	2000·32·38	90014203

Track Profile 3m

Type	Colour	L·W·H (MM)	Item number
3-phase track surface/suspended	White	3000·32·38	90014204
3-phase track surface/suspended	Black	3000·32·38	90014205