



PROJECT _____

TYPE _____

NOTES _____

QUANTITY _____

DATE _____



3-phase tracks spotlight made from die-cast aluminium; surface White Matt; powder coated; matt texture; polycarbonate track adapter in Pure White; inner ring black; spotlight head 360° rotatable and 90° tiltable; beam angle 24°; with COB (Chip on Board) technology for maximum efficiency; light colour 3000 K; binning initial MacAdam ≤ 2 SDCM; CRI ≥ 90; 220 - 240 V; degree of protection IP20; Class 2; UGR ≤ 19; light source replaceable by Wever & Ducré or by a professional with explicit authorization;

GENERAL

Ceiling _____

Track _____

tilt max 90 ° _____

rotation 360 ° _____

White Matt _____

IP20 _____

Interior _____

CIE flux code: 98 100 100 100 100 _____

LED

3000 K _____

CRI ≥ 90 _____

L80 / 50000h _____

initial MacAdam ≤ 2 SDCM _____

OPTICAL

Standard _____

beam angle 24° _____

ELECTRICAL

DALI-2 _____

220 - 240 V _____

35 W _____

Class 2 _____

PHYSICAL

diameter 72 mm _____

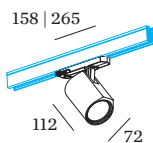
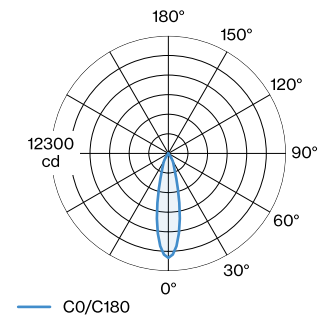
height 112 mm _____

0.63 kg _____

adapter 265 mm _____

incl. 3-phase track adapter _____

LIGHT DISTRIBUTION





CONE DIAGRAM

standard 24°

| h (m) | E0° (lx) | ø (m) |
|-------|----------|-------|
| 1 | 10900 | 0.43 |
| 2 | 2700 | 0.87 |
| 3 | 1200 | 1.30 |
| 4 | 700 | 1.74 |
| 5 | 400 | 2.17 |

TRACK ACCESSORIES

Cutting tool

| Type | Item number |
|-----------------------------|-------------|
| 3-phase track and 48V track | 90014165 |

End Cap

| Type | Colour | L·W·H (MM) | Item number |
|----------------------------|--------|------------|-------------|
| 3-phase track left/right | White | 32-32-38 | 90014216 |
| 3-phase track left/right | Black | 32-32-38 | 90014217 |

End Feed | left

| Type | Colour | L·W·H (MM) | Item number |
|---------------|--------|------------|-------------|
| 3-phase track | White | 148-32-38 | 90014238 |
| 3-phase track | Black | 148-32-38 | 90014239 |

End Feed | right

| Type | Colour | L·W·H (MM) | Item number |
|---------------|--------|------------|-------------|
| 3-phase track | White | 148-32-38 | 90014240 |
| 3-phase track | Black | 148-32-38 | 90014241 |

Flexible Connector

| Type | Colour | L·W·H (MM) | Item number |
|---------------|--------|------------|-------------|
| 3-phase track | White | 143-143-38 | 90014288 |
| 3-phase track | Black | 143-38-31 | 90014289 |

Hook

| Type | Colour | L·W·H (MM) | Item number |
|---------------|--------|------------|-------------|
| 3-phase track | White | 26-28-48 | 90014284 |
| 3-phase track | Black | 26-28-48 | 90014285 |

L-Connector 1.0

| Type | Colour | L·W·H (MM) | Item number |
|----------------------|--------|------------|-------------|
| 3-phase track left | White | 143-140-38 | 90014220 |
| 3-phase track left | Black | 143-140-38 | 90014221 |

L-Connector 2.0

| Type | Colour | L·W·H (MM) | Item number |
|-----------------------|--------|------------|-------------|
| 3-phase track right | White | 143-140-38 | 90014222 |
| 3-phase track right | Black | 143-140-38 | 90014223 |


Middle Feed

| Type | Colour | L-H (MM) | Item number |
|--------------------------|--------|----------|-------------|
| 3-phase track straight | White | 253-38 | 90014224 |
| 3-phase track straight | Black | 253-38 | 90014225 |

Straight Connector

| Type | Colour | L-W-H (MM) | Item number |
|--------------------------|--------|------------|-------------|
| 3-phase track straight | White | 115-25-33 | 90014226 |
| 3-phase track straight | Black | 115-25-33 | 90014227 |

Suspension Set 1.5m

| Type | Colour | Ø-H (MM) | Item number |
|---------------------------|--------|----------|-------------|
| 3-phase track suspended | White | 32-1500 | 90014206 |
| 3-phase track suspended | Black | 32-1500 | 90014207 |

Suspension Set 3.0m

| Type | Colour | Ø-H (MM) | Item number |
|---------------------------|--------|----------|-------------|
| 3-phase track suspended | White | 32-3000 | 90014208 |
| 3-phase track suspended | Black | 32-3000 | 90014209 |

T-Connector 1.0

| Type | Colour | L-W-H (MM) | Item number |
|---------------|--------|------------|-------------|
| 3-phase track | White | 254-143-38 | 90014228 |
| 3-phase track | Black | 254-143-38 | 90014229 |

T-Connector 2.0

| Type | Colour | L-W-H (MM) | Item number |
|---------------|--------|------------|-------------|
| 3-phase track | White | 254-143-38 | 90014230 |
| 3-phase track | Black | 254-143-38 | 90014231 |

T-Connector 3.0

| Type | Colour | L-W-H (MM) | Item number |
|---------------|--------|------------|-------------|
| 3-phase track | White | 254-143-38 | 90014232 |
| 3-phase track | Black | 254-143-38 | 90014233 |

T-Connector 4.0

| Type | Colour | L-W-H (MM) | Item number |
|---------------|--------|------------|-------------|
| 3-phase track | White | 254-143-38 | 90014234 |
| 3-phase track | Black | 254-143-38 | 90014235 |

Track Adapter

| Type | Colour | Item number |
|---------------|--------|-------------|
| 3-phase track | White | 90014279 |
| 3-phase track | Black | 90014280 |

Track Cover

| Type | Colour | L-W (MM) | Item number |
|-----------------------|--------|----------|-------------|
| 3-phase track 1.0 m | White | 1000-26 | 90014236 |
| 3-phase track 1.0 m | Black | 1000-26 | 90014237 |

166965W5

X-Feed

| Type | Colour | L·W·H (MM) | Item number |
|---------------|--------|------------|-------------|
| 3-phase track | White | 254·254·38 | 90014248 |
| 3-phase track | Black | 254·254·38 | 90014249 |

OPTICAL ACCESSORIES
Honeycomb Louver

| Type | Colour | Ø (MM) | Item number |
|----------------------------|--------|--------|-------------|
| CENO fort on track 3 phase | Black | 61 | 90051132 |

TRACKS
Track Profile 1m

| Type | Colour | L·W·H (MM) | Item number |
|-----------------------------------|--------|------------|-------------|
| 3-phase track surface/suspended | White | 1000·32·38 | 90014200 |
| 3-phase track surface/suspended | Black | 1000·32·38 | 90014201 |

Track Profile 2m

| Type | Colour | L·W·H (MM) | Item number |
|-----------------------------------|--------|------------|-------------|
| 3-phase track surface/suspended | White | 2000·32·38 | 90014202 |
| 3-phase track surface/suspended | Black | 2000·32·38 | 90014203 |

Track Profile 3m

| Type | Colour | L·W·H (MM) | Item number |
|-----------------------------------|--------|------------|-------------|
| 3-phase track surface/suspended | White | 3000·32·38 | 90014204 |
| 3-phase track surface/suspended | Black | 3000·32·38 | 90014205 |