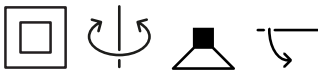
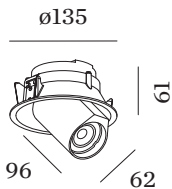




PROJECT
TYPE
NOTES
QUANTITY
DATE



Round ceiling recessed downlight made from die-cast aluminium; adjustable; surface Black Matt + Gold; wet painted, matt smooth; inner ring black; installation without tools using blade springs; suitable for ceiling thickness of min. 4 mm; recessed depth 75 mm; lamp socket GU10; lamp type PAR16; max. 12W; 100 - 240 V; 350° rotatable and 60° tiltable; degree of protection IP20; Class 2; IC rated; lamp not included;



GENERAL

Ceiling
Semi-Recessed
tilt max 60 °
rotation 350 °
Black Matt + Gold
IP20
IC rated
Interior
CIE flux code: 94 98 100 100 100

LED

lamp PAR16
socket GU10
max. per socket 12.0 W
CRI ≥ 90

ELECTRICAL

100 - 240 V
Class 2

PHYSICAL

diameter 135 mm
height 61 mm
0.42 kg
blade springs

CUTOUT

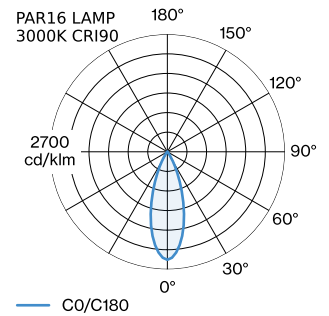
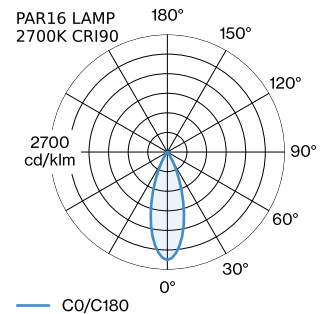
diameter 127 mm
min. ceiling thickness 4 mm
recessed depth 75 mm

MEASURED LAMPS

PAR16 LAMP 3000K CRI90
480 lm
6.5 W

PAR16 LAMP 2700K CRI90
460 lm
6.5 W

LIGHT DISTRIBUTION



[125120K0C] The technical data represent rated values for an ambient temperature of 25°C. The data values for the luminous flux are initially subject to a tolerance of +/- 10%, those for the electrical connected load are initially subject to a tolerance of +/- 10%, and those for the colour temperature are initially subject to a tolerance of +/- 150 K. No liability is assumed for typographical or printing errors. The general terms and conditions of Wever & Ducré BV apply.

125120K0C



ELECTRICAL ACCESSORIES

LED LAMPS

Colour

Black Texture

Black Texture

Item number

W901228B3

W901228B5

LAMPS

PAR16 LED Lamp

Type

2700K | >90 CRI | GU10

3000K | >90 CRI | GU10

2700K | >80 CRI | GU10

3000K | >80 CRI | GU10

Colour

White

White

Silver

Silver

Ø·H (MM)

50·60

50·60

50·60

50·60

Item number

901228W3

901228W5

905227S2

905227S4