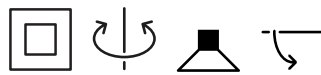
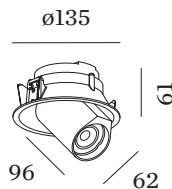




PROJECT
TYPE
NOTES
QUANTITY
DATE



Round ceiling recessed downlight made from die-cast aluminium; adjustable; surface White Matt; powder coated, matt texture; RAL 9010; inner ring black; installation without tools using blade springs; suitable for ceiling thickness of min. 4 mm; recessed depth 75 mm; lamp socket GU10; lamp type PAR16; max. 12W; 100 - 240 V; 350° rotatable and 60° tiltable; degree of protection IP20; Class 2; IC rated; lamp not included;



GENERAL

Ceiling
Semi-Recessed
tilt max 60 °
rotation 350 °
White Matt
RAL 9010 ^a
IP20
IC rated
Interior
CIE flux code: 94 98 100 100 100

LED

lamp PAR16
socket GU10
max. per socket 12.0 W
CRI ≥ 90

ELECTRICAL

100 - 240 V
Class 2

PHYSICAL

diameter 135 mm
height 61 mm
0.42 kg
blade springs

CUTOUT

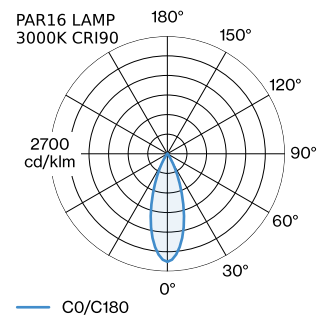
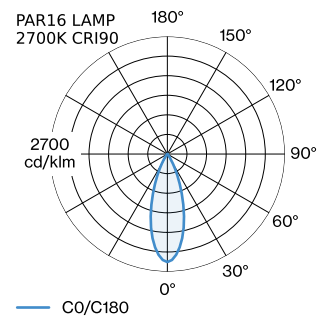
diameter 127 mm
min. ceiling thickness 4 mm
recessed depth 75 mm

MEASURED LAMPS

PAR16 LAMP 3000K CRI90
550 lm
6.5 W

PAR16 LAMP 2700K CRI90
505 lm
6.5 W

LIGHT DISTRIBUTION



^a Colour may deviate slightly due to production conditions.



ELECTRICAL ACCESSORIES

LED LAMPS

Colour	Item number
Black Texture	W901228B3
Black Texture	W901228B5

LAMPS

PAR16 LED Lamp

Type	Colour	Ø·H (MM)	Item number
2700K >90 CRI GU10	White	50·60	901228W3
3000K >90 CRI GU10	White	50·60	901228W5
2700K >80 CRI GU10	Silver	50·60	905227S2
3000K >80 CRI GU10	Silver	50·60	905227S4