



PROJECT _____

TYPE _____

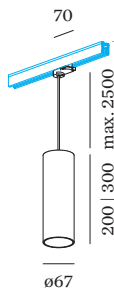
NOTES _____

QUANTITY _____

DATE _____



Cylindrical suspended luminaire made from die-cast aluminium incl. 3-phase track adapter; surface Copper; wet painted; brushed; polycarbonate track adapter and cable in Signal Black; lamp socket GU10; lamp type PAR16; max. 12W; 100 - 240 V; degree of protection IP20; Class 1; lamp not included; inclusive adjustable cable suspension max. 2500mm;



GENERAL

Ceiling _____
 Track Suspended _____
 incl. 2.5 m suspension _____
 Copper _____
 IP20 _____
 Interior _____
 CIE flux code: 94 98 100 100 97 _____

MEASURED LAMPS

PAR16 LAMP 3000K CRI90 _____
 465 lm _____
 6.5 W _____

PAR16 LAMP 2700K CRI90 _____
 450 lm _____
 6.5 W _____

LED

lamp PAR16 _____
 socket GU10 _____
 max. per socket 12.0 W _____
 CRI ≥ 90 _____

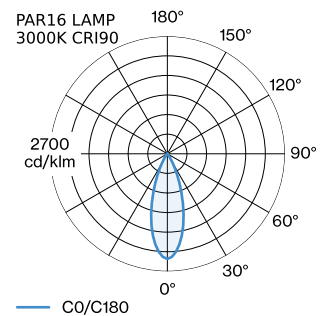
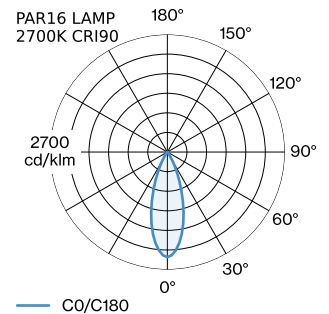
ELECTRICAL

100 - 240 V _____
 Class 1 _____

PHYSICAL

diameter 67 mm _____
 height 200 mm _____
 0.68 kg _____
 adapter 70 mm _____
 incl. 3-phase track adapter _____

LIGHT DISTRIBUTION



[217320P0] The technical data represent rated values for an ambient temperature of 25°C. The data values for the luminous flux are initially subject to a tolerance of +/- 10%, those for the electrical connected load are initially subject to a tolerance of +/- 10%, and those for the colour temperature are initially subject to a tolerance of +/- 150 K. No liability is assumed for typographical or printing errors. The general terms and conditions of Wever & Ducré BV apply.



TRACK ACCESSORIES

Cutting tool

Type	Item number
3-phase track and 48V track	90014165

End Cap

Type	Colour	L·W·H (MM)	Item number
3-phase track left/right	White	32·32·38	90014216
3-phase track left/right	Black	32·32·38	90014217

End Feed | left

Type	Colour	L·W·H (MM)	Item number
3-phase track	White	148·32·38	90014238
3-phase track	Black	148·32·38	90014239

End Feed | right

Type	Colour	L·W·H (MM)	Item number
3-phase track	White	148·32·38	90014240
3-phase track	Black	148·32·38	90014241

Flexible Connector

Type	Colour	L·W·H (MM)	Item number
3-phase track	White	143·143·38	90014288
3-phase track	Black	143·38·31	90014289

Hook

Type	Colour	L·W·H (MM)	Item number
3-phase track	White	26·28·48	90014284
3-phase track	Black	26·28·48	90014285

L-Connector 1.0

Type	Colour	L·W·H (MM)	Item number
3-phase track left	White	143·140·38	90014220
3-phase track left	Black	143·140·38	90014221

L-Connector 2.0

Type	Colour	L·W·H (MM)	Item number
3-phase track right	White	143·140·38	90014222
3-phase track right	Black	143·140·38	90014223

Middle Feed

Type	Colour	L·H (MM)	Item number
3-phase track straight	White	253·38	90014224
3-phase track straight	Black	253·38	90014225

Straight Connector

Type	Colour	L·W·H (MM)	Item number
3-phase track straight	White	115·25·33	90014226
3-phase track straight	Black	115·25·33	90014227


Suspension Set 1.5m

Type	Colour	Ø-H (MM)	Item number
3-phase track suspended	White	32-1500	90014206
3-phase track suspended	Black	32-1500	90014207

Suspension Set 3.0m

Type	Colour	Ø-H (MM)	Item number
3-phase track suspended	White	32-3000	90014208
3-phase track suspended	Black	32-3000	90014209

T-Connector 1.0

Type	Colour	L·W·H (MM)	Item number
3-phase track	White	254-143-38	90014228
3-phase track	Black	254-143-38	90014229

T-Connector 2.0

Type	Colour	L·W·H (MM)	Item number
3-phase track	White	254-143-38	90014230
3-phase track	Black	254-143-38	90014231

T-Connector 3.0

Type	Colour	L·W·H (MM)	Item number
3-phase track	White	254-143-38	90014232
3-phase track	Black	254-143-38	90014233

T-Connector 4.0

Type	Colour	L·W·H (MM)	Item number
3-phase track	White	254-143-38	90014234
3-phase track	Black	254-143-38	90014235

Track Adapter

Type	Colour	Item number
3-phase track	White	90014279
3-phase track	Black	90014280

Track Cover

Type	Colour	L·W (MM)	Item number
3-phase track 1.0 m	White	1000-26	90014236
3-phase track 1.0 m	Black	1000-26	90014237

X-Feed

Type	Colour	L·W·H (MM)	Item number
3-phase track	White	254-254-38	90014248
3-phase track	Black	254-254-38	90014249

ELECTRICAL ACCESSORIES
LED LAMPS

Colour	Item number
Black Texture	W901228B3
Black Texture	W901228B5

LAMPS

[217320P0] The technical data represent rated values for an ambient temperature of 25°C. The data values for the luminous flux are initially subject to a tolerance of +/- 10%, those for the electrical connected load are initially subject to a tolerance of +/- 10%, and those for the colour temperature are initially subject to a tolerance of +/- 150 K. No liability is assumed for typographical or printing errors. The general terms and conditions of Wever & Ducré BV apply.


PAR16 LED Lamp

Type	Colour	Ø·H (MM)	Item number
2700K >90 CRI GU10	White	50-60	901228W3
3000K >90 CRI GU10	White	50-60	901228W5
2700K >80 CRI GU10	Silver	50-60	905227S2
3000K >80 CRI GU10	Silver	50-60	905227S4

TRACKS
Track Profile 1m

Type	Colour	L·W·H (MM)	Item number
3-phase track surface/suspended	White	1000-32-38	90014200
3-phase track surface/suspended	Black	1000-32-38	90014201

Track Profile 2m

Type	Colour	L·W·H (MM)	Item number
3-phase track surface/suspended	White	2000-32-38	90014202
3-phase track surface/suspended	Black	2000-32-38	90014203

Track Profile 3m

Type	Colour	L·W·H (MM)	Item number
3-phase track surface/suspended	White	3000-32-38	90014204
3-phase track surface/suspended	Black	3000-32-38	90014205