



**PROJECT** \_\_\_\_\_

**TYPE** \_\_\_\_\_

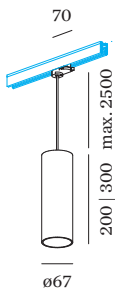
**NOTES** \_\_\_\_\_

**QUANTITY** \_\_\_\_\_

**DATE** \_\_\_\_\_



Cylindrical suspended luminaire made from die-cast aluminium incl. 3-phase track adapter; surface Copper; wet painted; brushed; polycarbonate track adapter and cable in Signal Black; lamp socket GU10; lamp type PAR16; max. 12W; 100 - 240 V; degree of protection IP20; Class 1; lamp not included; inclusive adjustable cable suspension max. 2500mm;



**GENERAL**

Ceiling \_\_\_\_\_  
 Track Suspended \_\_\_\_\_  
 Copper \_\_\_\_\_  
 IP20 \_\_\_\_\_  
 Interior \_\_\_\_\_  
 CIE flux code: 94 98 100 100 97 \_\_\_\_\_

**LED**

lamp PAR16 \_\_\_\_\_  
 socket GU10 \_\_\_\_\_  
 max. per socket 12.0 W \_\_\_\_\_  
 CRI ≥ 90 \_\_\_\_\_

**ELECTRICAL**

100 - 240 V \_\_\_\_\_  
 Class 1 \_\_\_\_\_

**PHYSICAL**

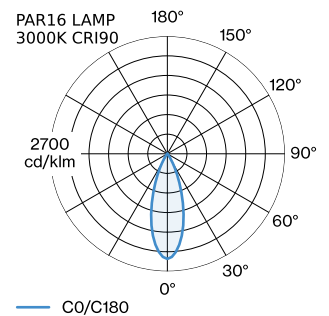
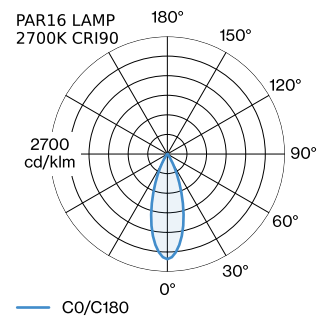
diameter 67 mm \_\_\_\_\_  
 height 300 mm \_\_\_\_\_  
 0.68 kg \_\_\_\_\_  
 cable length incl. 2.5 m \_\_\_\_\_  
 suspension mm \_\_\_\_\_  
 adapter 70 mm \_\_\_\_\_  
 incl. 3-phase track adapter \_\_\_\_\_

**MEASURED LAMPS**

PAR16 LAMP 2700K CRI90 \_\_\_\_\_  
 450 lm \_\_\_\_\_  
 6.5 W \_\_\_\_\_

PAR16 LAMP 3000K CRI90 \_\_\_\_\_  
 465 lm \_\_\_\_\_  
 6.5 W \_\_\_\_\_

**LIGHT DISTRIBUTION**



[217420P0] The technical data represent rated values for an ambient temperature of 25°C. The data values for the luminous flux are initially subject to a tolerance of +/- 10%, those for the electrical connected load are initially subject to a tolerance of +/- 10%, and those for the colour temperature are initially subject to a tolerance of +/- 150 K. No liability is assumed for typographical or printing errors. The general terms and conditions of Wever & Ducré BV apply.



## TRACK ACCESSORIES

### Cutting tool

Type	Item number
3-phase track and 48V track	90014165

### End Cap

Type	Colour	L·W·H (MM)	Item number
3-phase track   left/right	White	32·32·38	90014216
3-phase track   left/right	Black	32·32·38	90014217

### End Feed | left

Type	Colour	L·W·H (MM)	Item number
3-phase track	White	148·32·38	90014238
3-phase track	Black	148·32·38	90014239

### End Feed | right

Type	Colour	L·W·H (MM)	Item number
3-phase track	White	148·32·38	90014240
3-phase track	Black	148·32·38	90014241

### Flexible Connector

Type	Colour	L·W·H (MM)	Item number
3-phase track	White	143·143·38	90014288
3-phase track	Black	143·38·31	90014289

### Hook

Type	Colour	L·W·H (MM)	Item number
3-phase track	White	26·28·48	90014284
3-phase track	Black	26·28·48	90014285

### L-Connector 1.0

Type	Colour	L·W·H (MM)	Item number
3-phase track   left	White	143·140·38	90014220
3-phase track   left	Black	143·140·38	90014221

### L-Connector 2.0

Type	Colour	L·W·H (MM)	Item number
3-phase track   right	White	143·140·38	90014222
3-phase track   right	Black	143·140·38	90014223

### Middle Feed

Type	Colour	L·H (MM)	Item number
3-phase track   straight	White	253·38	90014224
3-phase track   straight	Black	253·38	90014225

### Straight Connector

Type	Colour	L·W·H (MM)	Item number
3-phase track   straight	White	115·25·33	90014226
3-phase track   straight	Black	115·25·33	90014227


**Suspension Set 1.5m**

Type	Colour	Ø-H (MM)	Item number
3-phase track   suspended	White	32-1500	90014206
3-phase track   suspended	Black	32-1500	90014207

**Suspension Set 3.0m**

Type	Colour	Ø-H (MM)	Item number
3-phase track   suspended	White	32-3000	90014208
3-phase track   suspended	Black	32-3000	90014209

**T-Connector 1.0**

Type	Colour	L·W·H (MM)	Item number
3-phase track	White	254-143-38	90014228
3-phase track	Black	254-143-38	90014229

**T-Connector 2.0**

Type	Colour	L·W·H (MM)	Item number
3-phase track	White	254-143-38	90014230
3-phase track	Black	254-143-38	90014231

**T-Connector 3.0**

Type	Colour	L·W·H (MM)	Item number
3-phase track	White	254-143-38	90014232
3-phase track	Black	254-143-38	90014233

**T-Connector 4.0**

Type	Colour	L·W·H (MM)	Item number
3-phase track	White	254-143-38	90014234
3-phase track	Black	254-143-38	90014235

**Track Cover**

Type	Colour	L·W (MM)	Item number
3-phase track   1.0 m	White	1000-26	90014236
3-phase track   1.0 m	Black	1000-26	90014237

**X-Feed**

Type	Colour	L·W·H (MM)	Item number
3-phase track	White	254-254-38	90014248
3-phase track	Black	254-254-38	90014249

**ELECTRICAL ACCESSORIES**
**LED LAMPS**

Colour	Item number
Black Texture	W901228B3
Black Texture	W901228B5

**LAMPS**


**PAR16 LED Lamp**

Type	Colour	Ø·H (MM)	Item number
2700K   >90 CRI   GU10	White	50-60	901228W3
3000K   >90 CRI   GU10	White	50-60	901228W5
2700K   >80 CRI   GU10	Silver	50-60	905227S2
3000K   >80 CRI   GU10	Silver	50-60	905227S4

**TRACKS**
**Track Profile 1m**

Type	Colour	L·W·H (MM)	Item number
3-phase track   surface/suspended	White	1000-32-38	90014200
3-phase track   surface/suspended	Black	1000-32-38	90014201

**Track Profile 2m**

Type	Colour	L·W·H (MM)	Item number
3-phase track   surface/suspended	White	2000-32-38	90014202
3-phase track   surface/suspended	Black	2000-32-38	90014203

**Track Profile 3m**

Type	Colour	L·W·H (MM)	Item number
3-phase track   surface/suspended	White	3000-32-38	90014204
3-phase track   surface/suspended	Black	3000-32-38	90014205