



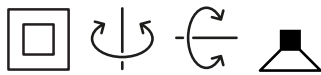
PROJECT _____

TYPE _____

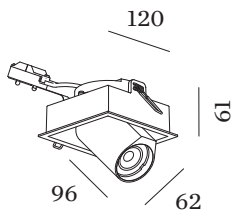
NOTES _____

QUANTITY _____

DATE _____



Squared ceiling recessed downlight made from die-cast aluminium; adjustable; surface White Matt; powder coated, matt texture; RAL 9003; installation without tools using wire springs; suitable for ceiling thickness of 4-25 mm; recessed depth 75 mm; lamp socket GU10; lamp type PAR16; max. 12W; 100 - 240 V; 350° rotatable and 60° tiltable; degree of protection IP20; Class 2; IC rated; lamp not included;



GENERAL

Ceiling _____
 Semi-Recessed _____
 tilt max 60 ° _____
 rotation 350 ° _____
 White Matt _____
 RAL 9003 ^a _____
 IP20 _____
 IC rated _____
 Interior _____
 CIE flux code: 94 98 100 100 100 _____

LED

lamp PAR16 _____
 socket GU10 _____
 max. per socket 12.0 W _____
 CRI ≥ 90 _____

ELECTRICAL

100 - 240 V _____
 Class 2 _____

PHYSICAL

length 120 mm _____
 width 120 mm _____
 height 61 mm _____
 0.45 kg _____
 wire springs _____

CUTOUT

length 111 mm _____
 width 111 mm _____
 min. ceiling thickness 4 mm _____
 max. ceiling thickness 25 mm _____
 recessed depth 75 mm _____

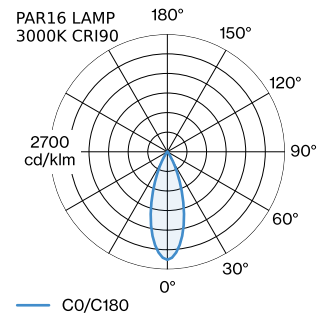
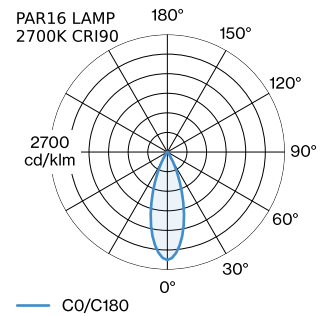
^a Colour may deviate slightly due to production conditions.

MEASURED LAMPS

PAR16 LAMP 2700K CRI90 _____
 505 lm _____
 6.5 W _____

PAR16 LAMP 3000K CRI90 _____
 550 lm _____
 6.5 W _____

LIGHT DISTRIBUTION



[125220W0] The technical data represent rated values for an ambient temperature of 25°C. The data values for the luminous flux are initially subject to a tolerance of +/- 10%, those for the electrical connected load are initially subject to a tolerance of +/- 10%, and those for the colour temperature are initially subject to a tolerance of +/- 150 K. No liability is assumed for typographical or printing errors. The general terms and conditions of Wever & Ducré BV apply.

125220W0



ELECTRICAL ACCESSORIES

LED LAMPS

Colour	Item number
Black Texture	W901228B3
Black Texture	W901228B5

LAMPS

PAR16 LED Lamp

Type	Colour	Ø·H (MM)	Item number
2700K >90 CRI GU10	White	50·60	901228W3
3000K >90 CRI GU10	White	50·60	901228W5
2700K >80 CRI GU10	Silver	50·60	905227S2
3000K >80 CRI GU10	Silver	50·60	905227S4