



**PROJECT**

---

**TYPE**

---

**NOTES**

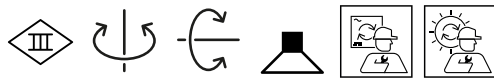
---

**QUANTITY**

---

**DATE**

---

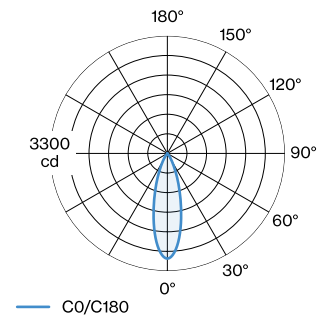


48V track spotlight made from die-cast aluminium; surface Black Matt + Gold; powder coated and wet painted; matt texture; RAL 9005; polycarbonate track adapter in Signal Black; inner ring black; spotlight head 355° rotatable and 90° tiltable; beam angle 31°; with COB (Chip on Board) technology for maximum efficiency; non dim; light colour 2700 K; binning initial MacAdam ≤ 2 SDCM; CRI ≥ 90; 48 V; degree of protection IP20; Class 3; UGR ≤ 16; VDU compatible workplace luminaire according to DIN EN 12464-1; luminance above 65° ≤ 1500 cd/m²; light source replaceable by Wever & Ducré or by a professional with explicit authorization; control gear replaceable by an authorized professional;

**GENERAL**

Ceiling \_\_\_\_\_  
 Track \_\_\_\_\_  
 tilt max 90 ° \_\_\_\_\_  
 rotation 355 ° \_\_\_\_\_  
 Black Matt + Gold \_\_\_\_\_  
 RAL 9005 <sup>a</sup> \_\_\_\_\_  
 IP20 \_\_\_\_\_  
 Interior \_\_\_\_\_  
 CIE flux code: 99 100 100 100 100 \_\_\_\_\_

**LIGHT DISTRIBUTION**



**LED**

2700 K \_\_\_\_\_  
 CRI ≥ 90 \_\_\_\_\_  
 L70 / 55000h \_\_\_\_\_  
 initial MacAdam ≤ 2 SDCM \_\_\_\_\_

**OPTICAL**

Standard \_\_\_\_\_  
 beam angle 31° \_\_\_\_\_

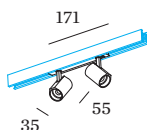
**ELECTRICAL**

non dim \_\_\_\_\_  
 48 V \_\_\_\_\_  
 inset 6.9 W \_\_\_\_\_  
 total insets 13.8 W \_\_\_\_\_  
 Class 3 \_\_\_\_\_

**PHYSICAL**

diameter 35 mm \_\_\_\_\_  
 height 55 mm \_\_\_\_\_  
 0.19 kg \_\_\_\_\_  
 adapter 171 mm \_\_\_\_\_  
 incl. Strex 48 V track adapter \_\_\_\_\_

<sup>a</sup> Colour may deviate slightly due to production conditions.



[166662K3] The technical data represent rated values for an ambient temperature of 25°C. The data values for the luminous flux are initially subject to a tolerance of +/- 10%, those for the electrical connected load are initially subject to a tolerance of +/- 10%, and those for the colour temperature are initially subject to a tolerance of +/- 150 K. No liability is assumed for typographical or printing errors. The general terms and conditions of Wever & Ducré BV apply.



**CONE DIAGRAM**

standard 30°

h (m)	E0° (lx)	ø (m)
1	1480	0.53
2	370	1.06
3	160	1.60
4	90	2.13
5	60	2.66

**Maintenance Factor**

Operating Time [h]	10.000	20.000	30.000	40.000	50.000
LLMF	0.92	0.87	0.83	0.79	0.75
LSF	1	1	1	1	1

MF	$LMF \times RSMF \times LLMF \times LSF$	RSMF <sup>a</sup>	Room Surface Maintenance Factor
MF	Maintenance Factor	LLMF	Lamp Lumens Maintenance Factor
LMF <sup>a</sup>	Luminaire Maintenance Factor	LSF	Lamp Survival Factor

<sup>a</sup>According to "CIE 97, Maintenance of indoor electric lighting systems", 2005, ISBN 3-900-734-34-8. The values must be determined by the planner.

**TRACK ACCESSORIES**

**Blank Cover 2m**

Type	Colour	L·W·H (MM)	Item number
STREX system	Black	2000-18-3	911002B0
STREX system	White	2000-18-3	911002W0

**Connector**

Type	Colour	L·H (MM)	Item number
STREX system	White	105-18	90014196
STREX system	Black	105-18	90014197

**DALI Selv Device**

Type	L·W·H (MM)	Item number
STREX system	213-37-25	90019193

**End Cap**

Type	Colour	L·W·H (MM)	Item number
STREX system   surface/suspended	White	26-2.5-29	90014147
STREX system   surface/suspended	Black	26-2.5-29	90014148
STREX system   recessed	White	37-10-27	90014149
STREX system   recessed	Black	37-10-27	90014150
STREX system   surface/suspended	Champagne	26-2.5-29	90014347
STREX system   surface/suspended	Bronze	26-2.5-29	90014348

[166662K3] The technical data represent rated values for an ambient temperature of 25°C. The data values for the luminous flux are initially subject to a tolerance of +/- 10%, those for the electrical connected load are initially subject to a tolerance of +/- 10%, and those for the colour temperature are initially subject to a tolerance of +/- 150 K. No liability is assumed for typographical or printing errors. The general terms and conditions of Wever & Ducré BV apply.


**L-Connector**

Type	Colour	L·W·H (MM)	Item number
STREX system   surface/suspended	White	105-105-19	90014198
STREX system   surface/suspended	Black	105-105-19	90014199
STREX system   recessed	White	105-105-19	90014251
STREX system   recessed	Black	105-105-19	90014252
STREX system   surface/suspended	Champagne + Black	105-105-19	90014398
STREX system   surface/suspended	Bronze + Black	105-105-19	90014399

**L-Connector non-electrical**

Type	Colour	L·W·H (MM)	Item number
STREX system   recessed	White	105-105-19	90014256
STREX system   recessed	Black	105-105-19	90014257
STREX system   surface	White	105-105-19	90014258
STREX system   surface	Black	105-105-19	90014259
STREX system   surface	Champagne + Black	105-105-19	90014458
STREX system   surface	Bronze + Black	105-105-19	90014459

**Mounting Bracket**

Type	Item number
STREX system   recessed	90014193

**Power Feed**

Type	Colour	L·H (MM)	Item number
STREX system	Black	112-18	90014154

**Suspension Set**

Type	Colour	L·W·H (MM)	Item number
STREX system   1.5m   suspended	Stainless Steel	80-23-1500	90014160
STREX system   3.0m   suspended	Stainless Steel	80-23-3000	90014161
STREX system   1.5m   suspended	Black	80-23-1500	90014274
STREX system   3.0m   suspended	Black	80-23-3000	90014275

**T-Connector**

Type	Colour	L·W·H (MM)	Item number
STREX system   surface	White	275-146-18	90014292
STREX system   surface	Black	275-146-18	90014293

**X-Connector**

Type	Colour	L·W·H (MM)	Item number
STREX system   surface	Black	275-275-18	90014294
STREX system   surface	White	275-275-18	90014295

**ELECTRICAL ACCESSORIES**
**Ceiling Driver 100W**

Type	Colour	L·W·H (MM)	Item number
STREX system   suspended	White	439-26-44	90014368
STREX system   suspended	Black	439-26-44	90014369

**Ceiling Driver 150W**

Type	Colour	L·W·H (MM)	Item number
STREX system   suspended	White	439-26-44	90014372
STREX system   suspended	Black	439-26-44	90014373


**Driver**

Type	Voltage	L·W·H (MM)	Item number
STREX system   100W	48V	350-30-18	90218901
STREX system   150W	48V	350-30-18	90218902
STREX system   250W	48V	400-40-22	90218903

**In Line Driver 100W**

Type	Colour	L·W·H (MM)	Item number
STREX system   suspended	White	439-26-44	90014360
STREX system   suspended	Black	439-26-44	90014361
STREX system   surface	White	439-26-44	90014366
STREX system   surface	Black	439-26-44	90014367

**In Line Driver 150W**

Type	Colour	L·W·H (MM)	Item number
STREX system   suspended	White	439-26-44	90014362
STREX system   suspended	Black	439-26-44	90014363
STREX system   surface	White	439-26-44	90014370
STREX system   surface	Black	439-26-44	90014371

**In Track Driver 100W**

Type	Colour	L·W·H (MM)	Item number
STREX system   surface	Black	438-16-18	90014143
STREX system   surface	White	438-16-18	90014144
STREX system   suspended	White	3000	90014157
STREX system   suspended	Black	3000	90014174
STREX system   surface	Black	468-26-29	90014176
STREX system   surface	White	468-26-29	90014178
STREX system   surface	Bronze + Black	468-26-29	90014376
STREX system   surface	Champagne + Black	468-26-29	90014378

**In Track Driver 250W**

Type	Colour	L·W·H (MM)	Item number
STREX system   surface	Black	408-16-18	90014145
STREX system   surface	White	408-16-18	90014146
STREX system   suspended	White	3000	90014158
STREX system   suspended	Black	3000	90014175
STREX system   surface	Black	438-26-29	90014177
STREX system   surface	White	438-26-29	90014179
STREX system   surface	Bronze + Black	438-26-29	90014377
STREX system   surface	Champagne + Black	438-26-29	90014379

**Power Feeder for Suspension**

Colour	Item number
Black Texture	90018000

**OPTICAL ACCESSORIES**
**Honeycomb Louver**

Type	Colour	Ø (MM)	Item number
BLIEK PETIT   CENO   LECA   PIRRO	Black	29	90051131

**TRACKS**


**Track Profile 1m**

Type	Colour	L-W-H (MM)	Item number
STREX system   surface/suspended	White	1000-26-29	90014181
STREX system   custom cut   surface/suspended	White	200-999-26-29	90014181CC
STREX system   surface/suspended	Black	1000-26-29	90014182
STREX system   custom cut   surface/suspended	Black	200-999-26-29	90014182CC
STREX system   recessed	White	1000-37-33	90014187
STREX system   custom cut   recessed	White	200-999-37-33	90014187CC
STREX system   recessed	Black	1000-37-33	90014188
STREX system   custom cut   recessed	Black	200-999-37-33	90014188CC

**Track Profile 2m**

Type	Colour	L-W-H (MM)	Item number
STREX system   suspended indirect light	Black	2000-26-29	900140B5
STREX system   custom cut   suspended indirect light	Black	1000-1999-26-29	900140B5CC
STREX system   suspended indirect light	White	2000-26-29	900140W5
STREX system   custom cut   suspended indirect light	White	1000-1999-26-29	900140W5CC
STREX system   surface/suspended	White	2000-26-29	90014183
STREX system   custom cut   surface/suspended	White	1001-1999-26-29	90014183CC
STREX system   surface/suspended	Black	2000-26-29	90014184
STREX system   custom cut   surface/suspended	Black	1001-1999-26-29	90014184CC
STREX system   recessed	White	2000-37-33	90014189
STREX system   custom cut   recessed	White	1001-1999-37-33	90014189CC
STREX system   recessed	Black	2000-37-33	90014190
STREX system   custom cut   recessed	Black	1001-1999-37-33	90014190CC
STREX system   surface/suspended	Champagne	2000-26-29	90014383
STREX system   custom cut   surface/suspended	Champagne	1001-1999-26-29	90014383CC
STREX system   surface/suspended	Bronze	2000-26-29	90014384
STREX system   custom cut   surface/suspended	Bronze	1001-1999-26-29	90014384CC

**Track Profile 3m**

Type	Colour	L-W-H (MM)	Item number
STREX system   surface/suspended	White	3000-26-29	90014185
STREX system   custom cut   surface/suspended	White	2001-2999-26-29	90014185CC
STREX system   surface/suspended	Black	3000-26-29	90014186
STREX system   custom cut   surface/suspended	Black	2001-2999-26-29	90014186CC
STREX system   recessed	White	3000-37-33	90014191
STREX system   custom cut   recessed	White	2001-2999-37-33	90014191CC
STREX system   recessed	Black	3000-37-33	90014192
STREX system   custom cut   recessed	Black	2001-2999-37-33	90014192CC
STREX system   suspended indirect light	Black	3000-26-29	900141B5
STREX system   custom cut   suspended indirect light	Black	2001-2999-26-29	900141B5CC
STREX system   suspended indirect light	White	3000-26-29	900141W5
STREX system   custom cut   suspended indirect light	White	2001-2999-26-29	900141W5CC
STREX system   surface/suspended	Champagne	3000-26-29	90014385
STREX system   custom cut   surface/suspended	Champagne	2001-2999-26-29	90014385CC
STREX system   surface/suspended	Bronze	3000-26-29	90014386
STREX system   custom cut   surface/suspended	Bronze	2001-2999-26-29	90014386CC