



PROJECT _____

TYPE _____

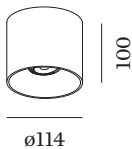
NOTES _____

QUANTITY _____

DATE _____



Cylindrical ceiling surface mounted downlight made from die-cast aluminium; surface Aluminium Brushed; lamp socket GU10; lamp type PAR16; max. 12W; 100 - 240 V; degree of protection IP20; Class 1; UGR ≤ 16; VDU compatible workplace luminaire according to DIN EN 12464-1; luminance above 65° ≤ 1500 cd/m²; lamp not included; optional single inner cover available;



GENERAL

Ceiling _____
 Surface _____
 Aluminium Brushed _____
 IP20 _____
 Interior _____
 CIE flux code: 90 98 100 100 _____
 100 _____

LED

lamp PAR16 _____
 socket GU10 _____
 max. per socket 12.0 W _____
 CRI ≥ 80 90 90 _____

ELECTRICAL

100 - 240 V _____
 Class 1 _____

PHYSICAL

diameter 114 mm _____
 height 100 mm _____
 0.61 kg _____

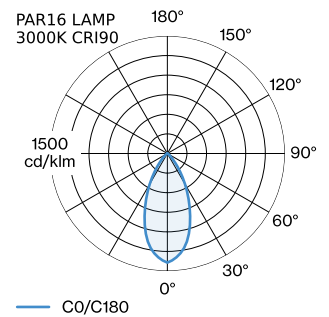
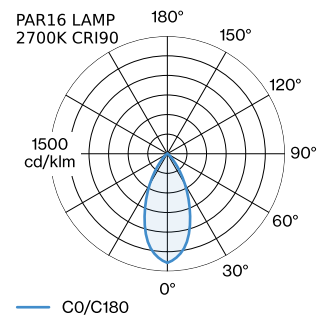
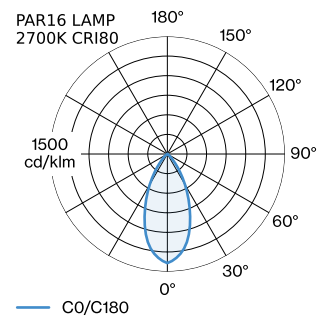
MEASURED LAMPS

PAR16 LAMP 2700K CRI80 _____
 385 lm _____
 4.4 W _____

PAR16 LAMP 2700K CRI90 _____
 460 lm _____
 6.5 W _____

PAR16 LAMP 3000K CRI90 _____
 480 lm _____
 6.5 W _____

LIGHT DISTRIBUTION



[146720LO] The technical data represent rated values for an ambient temperature of 25°C. The data values for the luminous flux are initially subject to a tolerance of +/- 10%, those for the electrical connected load are initially subject to a tolerance of +/- 10%, and those for the colour temperature are initially subject to a tolerance of +/- 150 K. No liability is assumed for typographical or printing errors. The general terms and conditions of Wever & Ducré BV apply.

**ELECTRICAL ACCESSORIES****LED LAMPS**

Colour	Item number
Black Texture	W901228B3
Black Texture	W901228B5

LAMPS**PAR16 LED Lamp**

Type	Colour	Ø·H (MM)	Item number
2700K >90 CRI GU10	White	50-60	901228W3
3000K >90 CRI GU10	White	50-60	901228W5
2700K >80 CRI GU10	Silver	50-60	905227S2
3000K >80 CRI GU10	Silver	50-60	905227S4

OPTICAL ACCESSORIES**Single Inner Cover**

Type	Colour	Ø·H (MM)	Item number
RAY max. 10W	Black	67-54	911041B1
RAY max. 10W	Gold	67-54	911041G1
RAY max. 10W	Champagne	67-54	911041M1
RAY max. 10W	White	67-54	911041W1