



**PROJECT** \_\_\_\_\_

**TYPE** \_\_\_\_\_

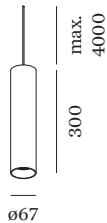
**NOTES** \_\_\_\_\_

**QUANTITY** \_\_\_\_\_

**DATE** \_\_\_\_\_



Cylindrical ceiling suspended luminaire made from die-cast aluminium; surface Gold; wet painted; brushed; inclusive adjustable cable suspension max. 4000mm in Signal Black; lamp socket GU10; lamp type PAR16; max. 12W; 100 - 240 V; degree of protection IP20; Class 1; lamp not included; ceiling base not included;



**GENERAL**

Ceiling \_\_\_\_\_  
 Suspended \_\_\_\_\_  
 Gold \_\_\_\_\_  
 IP20 \_\_\_\_\_  
 Interior \_\_\_\_\_  
 CIE flux code: 94 98 100 100  
 97 \_\_\_\_\_

**LED**

lamp PAR16 \_\_\_\_\_  
 socket GU10 \_\_\_\_\_  
 max. per socket 12.0 W \_\_\_\_\_  
 CRI ≥ 90 \_\_\_\_\_

**ELECTRICAL**

100 - 240 V \_\_\_\_\_  
 Class 1 \_\_\_\_\_

**PHYSICAL**

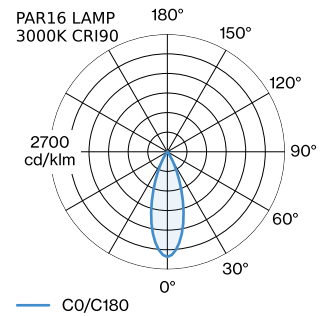
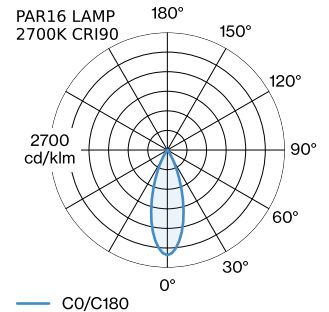
diameter 67 mm \_\_\_\_\_  
 height 300 mm \_\_\_\_\_  
 0.68 kg \_\_\_\_\_  
 cable length incl. 4.0 m \_\_\_\_\_  
 suspension mm \_\_\_\_\_

**MEASURED LAMPS**

PAR16 LAMP 2700K CRI90 \_\_\_\_\_  
 450 lm \_\_\_\_\_  
 6.5 W \_\_\_\_\_

PAR16 LAMP 3000K CRI90 \_\_\_\_\_  
 465 lm \_\_\_\_\_  
 6.5 W \_\_\_\_\_

**LIGHT DISTRIBUTION**





## MOUNTING ACCESSORIES

### Cable Wall-Ceiling Bracket

Colour	Ø·H (MM)	Item number
White	16-30	90019197
Black	16-30	90019198

### Hook

Type	Colour	Ø·H (MM)	Item number
standard multi suspension hook	Black	3-83	90052024
standard multi suspension hook	White	3-83	90052025
optional multi suspension hook	Black	5-90	90052065
optional multi suspension hook	White	5-90	90052066
for cable 4.25-5.5mm diameter	White	15-35	90052079
for cable 4.25-5.5mm diameter	Black	15-35	90052080

### Invisible ceiling base

Colour	L·W (MM)	Item number
Black	140-66	90015195
White	140-66	90015196

### Multiple base linear

Type	Colour	L·W·H (MM)	Item number
up to max. 2 luminaires	White	600-30-45	90052007
up to max. 2 luminaires	Black	600-30-45	90052008
up to max. 3 luminaires	White	900-30-45	90052009
up to max. 3 luminaires	Black	900-30-45	90052010
up to max. 4 luminaires	White	1200-30-45	90052011
up to max. 4 luminaires	Black	1200-30-45	90052012
up to max. 5 luminaires	White	1500-30-45	90052013
up to max. 5 luminaires	Black	1500-30-45	90052014

### Multiple base round

Type	Colour	Ø·H (MM)	Item number
up to max. 4 luminaires	White	123-44	90052005
up to max. 4 luminaires	Black	123-44	90052006
up to max. 8 luminaires	White	123-44	90052031
up to max. 8 luminaires	Black	123-44	90052032

### Semi recessed base

Type	Colour	Ø·H (MM)	Item number
for shades without steel wire only	White	84-72	90052026
for shades without steel wire only	Black	84-72	90052027

### Single base

Type	Colour	Ø·H (MM)	Item number
ceiling base round	Black	84-29	90052021
ceiling base round	White	84-29	90052022

### Wall Base

Type	Colour	Ø·H (MM)	Item number
for 1 luminaire	White	82-32	90019195
for 1 luminaire	Black	82-32	90019196

## ELECTRICAL ACCESSORIES

[‘227820GO’] The technical data represent rated values for an ambient temperature of 25°C. The data values for the luminous flux are initially subject to a tolerance of +/- 10%, those for the electrical connected load are initially subject to a tolerance of +/- 10%, and those for the colour temperature are initially subject to a tolerance of +/- 150 K. No liability is assumed for typographical or printing errors. The general terms and conditions of Wever & Ducré BV apply.



## LED LAMPS

### Colour

Black Texture  
Black Texture

### Item number

W901228B3  
W901228B5

## LAMPS

### PAR16 LED Lamp

#### Type

2700K | >90 CRI | GU10  
3000K | >90 CRI | GU10  
2700K | >80 CRI | GU10  
3000K | >80 CRI | GU10

#### Colour

White  
White  
Silver  
Silver

#### Ø·H (MM)

50-60  
50-60  
50-60  
50-60

#### Item number

901228W3  
901228W5  
905227S2  
905227S4

## TRACK ACCESSORIES

### Track Adapter

#### Type

3-phase track  
3-phase track

#### Colour

White  
Black

#### L·W·H (MM)

70-31-50  
70-31-50

#### Item number

90014279  
90014280

### Track Adapter 2.0

#### Type

1-phase track  
1-phase track

#### Colour

White  
Black

#### L·W·H (MM)

80-24-26  
80-24-26

#### Item number

90014277  
90014278