



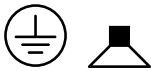
**PROJECT** \_\_\_\_\_

**TYPE** \_\_\_\_\_

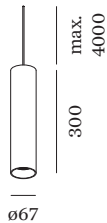
**NOTES** \_\_\_\_\_

**QUANTITY** \_\_\_\_\_

**DATE** \_\_\_\_\_



Cylindrical ceiling suspended luminaire made from die-cast aluminium; surface White Matt; powder coated; matt texture; RAL 9003; inclusive adjustable cable suspension max. 4000mm in Pure White; lamp socket GU10; lamp type PAR16; max. 12W; 100 - 240 V; degree of protection IP20; Class 1; lamp not included; ceiling base not included;



**GENERAL**

Ceiling
Suspended
White Matt
RAL 9003 <sup>a</sup>
IP20
Interior
CIE flux code: 94 98 100 100 98

**MEASURED LAMPS**

PAR16 LAMP 3000K CRI90
540 lm
6.5 W
PAR16 LAMP 2700K CRI90
495 lm
6.5 W

**LED**

lamp PAR16
socket GU10
max. per socket 12.0 W
CRI ≥ 90

**ELECTRICAL**

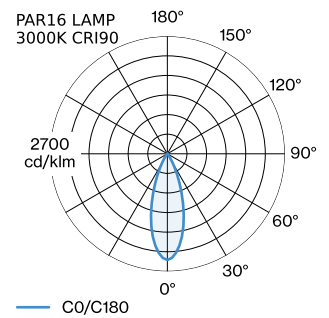
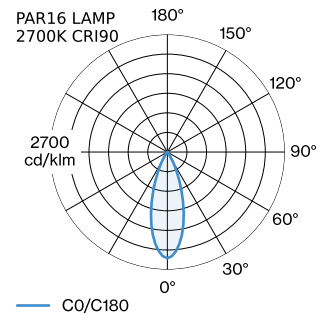
100 - 240 V
Class 1

**PHYSICAL**

diameter 67 mm
height 300 mm
0.68 kg
cable length incl. 4.0 m
suspension mm

<sup>a</sup> Colour may deviate slightly due to production conditions.

**LIGHT DISTRIBUTION**



[227820W0] The technical data represent rated values for an ambient temperature of 25°C. The data values for the luminous flux are initially subject to a tolerance of +/- 10%, those for the electrical connected load are initially subject to a tolerance of +/- 10%, and those for the colour temperature are initially subject to a tolerance of +/- 150 K. No liability is assumed for typographical or printing errors. The general terms and conditions of Wever & Ducré BV apply.



## MOUNTING ACCESSORIES

### Cable Wall-Ceiling Bracket

Colour	Ø·H (MM)	Item number
White	16-30	90019197
Black	16-30	90019198

### Hook

Type	Colour	Ø·H (MM)	Item number
standard multi suspension hook	Black	3-83	90052024
standard multi suspension hook	White	3-83	90052025
optional multi suspension hook	Black	5-90	90052065
optional multi suspension hook	White	5-90	90052066
for cable 4.25-5.5mm diameter	White	15-35	90052079
for cable 4.25-5.5mm diameter	Black	15-35	90052080

### Invisible ceiling base

Colour	L·W (MM)	Item number
Black	140-66	90015195
White	140-66	90015196

### Multiple base linear

Type	Colour	L·W·H (MM)	Item number
up to max. 2 luminaires	White	600-30-45	90052007
up to max. 2 luminaires	Black	600-30-45	90052008
up to max. 3 luminaires	White	900-30-45	90052009
up to max. 3 luminaires	Black	900-30-45	90052010
up to max. 4 luminaires	White	1200-30-45	90052011
up to max. 4 luminaires	Black	1200-30-45	90052012
up to max. 5 luminaires	White	1500-30-45	90052013
up to max. 5 luminaires	Black	1500-30-45	90052014

### Multiple base round

Type	Colour	Ø·H (MM)	Item number
up to max. 4 luminaires	White	123-44	90052005
up to max. 4 luminaires	Black	123-44	90052006
up to max. 8 luminaires	White	123-44	90052031
up to max. 8 luminaires	Black	123-44	90052032

### Semi recessed base

Type	Colour	Ø·H (MM)	Item number
for shades without steel wire only	White	84-72	90052026
for shades without steel wire only	Black	84-72	90052027

### Single base

Type	Colour	Ø·H (MM)	Item number
ceiling base round	Black	84-29	90052021
ceiling base round	White	84-29	90052022

### Wall Base

Type	Colour	Ø·H (MM)	Item number
for 1 luminaire	White	82-32	90019195
for 1 luminaire	Black	82-32	90019196

## ELECTRICAL ACCESSORIES

[227820W0] The technical data represent rated values for an ambient temperature of 25°C. The data values for the luminous flux are initially subject to a tolerance of +/- 10%, those for the electrical connected load are initially subject to a tolerance of +/- 10%, and those for the colour temperature are initially subject to a tolerance of +/- 150 K. No liability is assumed for typographical or printing errors. The general terms and conditions of Wever & Ducré BV apply.



**LED LAMPS**

**Colour**

Black Texture  
Black Texture

**Item number**

W901228B3  
W901228B5

**LAMPS**

**PAR16 LED Lamp**

**Type**

2700K | >90 CRI | GU10  
3000K | >90 CRI | GU10  
2700K | >80 CRI | GU10  
3000K | >80 CRI | GU10

**Colour**

White  
White  
Silver  
Silver

**Ø·H (MM)**

50-60  
50-60  
50-60  
50-60

**Item number**

901228W3  
901228W5  
905227S2  
905227S4

**TRACK ACCESSORIES**

**Track Adapter**

**Type**

3-phase track  
3-phase track

**Colour**

White  
Black

**L·W·H (MM)**

70-31-50  
70-31-50

**Item number**

90014279  
90014280

**Track Adapter 2.0**

**Type**

1-phase track  
1-phase track

**Colour**

White  
Black

**L·W·H (MM)**

80-24-26  
80-24-26

**Item number**

90014277  
90014278