



WEVER & DUCRÉ
LIGHTING

COSTA 2.0

8652860B9

Project

Type

Notes

Quantity

Date

GENERAL

Floor , Standing

White LLDPE + Black

IP65

Exterior

Output: 130 lm

CIE flux code: 15 38 67 41 100

LED

colour warm dimming

2200 K - 4000 K

CRI \geq 80

L80 / 60000 h

3 SDCM

OPTICAL

Opal

ELECTRICAL

220 - 240 V

Total connected power 2.5 W

Class 3

PHYSICAL

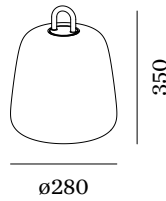
Diameter 280 mm

Height 350 mm

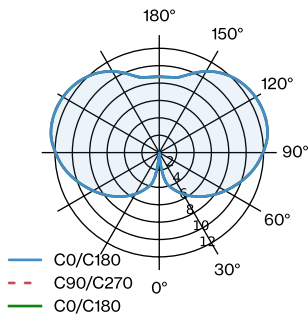
1.1 kg



Portable luminaire made from polyethylene and polypropylene; surface White LLDPE + Black; with COB (Chip on Board) technology for maximum efficiency; light colour 2200 K - 4000 K colour warm dimming; binning initial MacAdam \leq 3 SDCM; CRI \geq 80; 220 - 240 V; inclusive rechargeable lithium-ion battery and charger; light for 8 hours; recharging time 5 hours; degree of protection IP65; Class 3; optional optical accessories available; light source replaceable by end-user; control gear replaceable by end-user;



LIGHT DISTRIBUTION





WEVER & DUCRÉ
LIGHTING

COSTA 2.0

8652860B9

Maintenance Factors

Operating Time [h]	10 000	20 000	30 000	40 000	50 000
LLMF	0.98	0.96	0.94	0.91	0.9
LSF	1	1	1	1	1

MF	LMF × RSMF × LLMF × LSF	RSMF ^a	Room Surface Maintenance Factor
MF	Maintenance Factor	LLMF	Lamp Lumens Maintenance Factor
LMF ^a	Luminaire Maintenance Factor	LSF	Lamp Survival Faktor

^a According to "CIE 97, Maintenance of indoor electric lighting systems", 2005, ISBN 3-900-734-34-8. The values must be determined by the planner.

POLE

Pole

TYPE	Ø · H (MM)	ORDERCODE
COSTA	760 · ø350-1800	9 0 0 5 6 0 0 1

OPTICAL

Cage 2.1

TYPE	COLOUR	ORDERCODE
COSTA 2.0	Black	9 0 0 5 7 1 8 0
COSTA 2.0	Traffic Orange	9 0 0 5 7 1 8 1
COSTA 2.0	Colza Yellow	9 0 0 5 7 1 8 2
COSTA 2.0	Water Blue	9 0 0 5 7 1 8 3

Rope 2.0

TYPE	COLOUR	Ø · H (MM)	ORDERCODE
COSTA 2.0	Black	ø280-285	9 0 0 5 7 1 9 0
COSTA 2.0	Traffic Orange	ø280-285	9 0 0 5 7 1 9 1
COSTA 2.0	Colza Yellow	ø280-285	9 0 0 5 7 1 9 2
COSTA 2.0	Water Blue	ø280-285	9 0 0 5 7 1 9 3