



**PROJECT** \_\_\_\_\_

**TYPE** \_\_\_\_\_

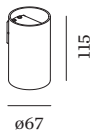
**NOTES** \_\_\_\_\_

**QUANTITY** \_\_\_\_\_

**DATE** \_\_\_\_\_



Cylindrical wall surface mounted luminaire made from aluminium; surface Black Matt; powder coated; matt texture; RAL 9005; direct light distribution; lamp socket GU10; lamp type PAR16; max. 12W; 100 - 240 V; lamp not included; degree of protection IP20; Class 1;



**GENERAL**

Wall
Surface
Black Matt
RAL 9005 <sup>a</sup>
IP20
Interior
CIE flux code: 94 98 100 100 88

**MEASURED LAMPS**

PAR16 LAMP 2700K CRI90
405 lm
6.5 W
PAR16 LAMP 3000K CRI90
425 lm
6.5 W

**LED**

lamp PAR16
socket GU10
max. per socket 12.0 W
CRI ≥ 90

**ELECTRICAL**

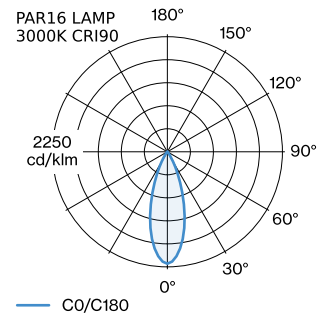
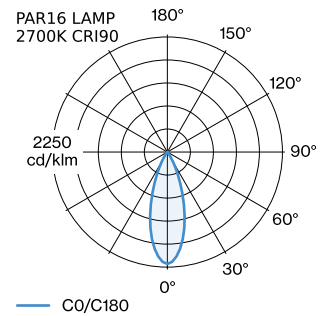
100 - 240 V
Class 1

**PHYSICAL**

diameter 67 mm
height 115 mm
0.21 kg

<sup>a</sup> Colour may deviate slightly due to production conditions.

**LIGHT DISTRIBUTION**



[‘300220B0’] The technical data represent rated values for an ambient temperature of 25°C. The data values for the luminous flux are initially subject to a tolerance of +/- 10%, those for the electrical connected load are initially subject to a tolerance of +/- 10%, and those for the colour temperature are initially subject to a tolerance of +/- 150 K. No liability is assumed for typographical or printing errors. The general terms and conditions of Wever & Ducré BV apply.

300220B0



**ELECTRICAL ACCESSORIES**

**LED LAMPS**

**Colour**

Black Texture

Black Texture

**Item number**

W901228B3

W901228B5

**LAMPS**

**PAR16 LED Lamp**

**Type**

2700K | >90 CRI | GU10

3000K | >90 CRI | GU10

2700K | >80 CRI | GU10

3000K | >80 CRI | GU10

**Colour**

White

White

Silver

Silver

**Ø·H (MM)**

50·60

50·60

50·60

50·60

**Item number**

901228W3

901228W5

905227S2

905227S4