



PROJECT _____

TYPE _____

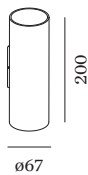
NOTES _____

QUANTITY _____

DATE _____



Cylindrical wall surface mounted luminaire made from aluminium; surface Aluminium Brushed; direct/indirect light distribution; lamp socket GU10; lamp type PAR16; 2x max. 12W; 100 - 240 V; lamp not included; degree of protection IP20; Class 1;



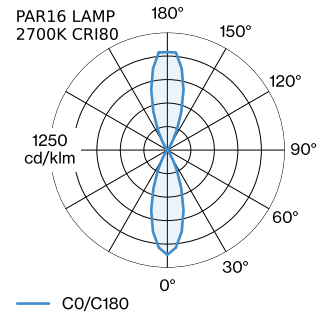
GENERAL

Wall _____
 Surface _____
 Aluminium Brushed _____
 IP20 _____
 Interior _____
 indirect 385 lm _____
 direct 385 lm _____
 total 770 lm _____

MEASURED LAMP

PAR16 LAMP 2700K CRI80 _____
 Silver _____
 905227S2 _____
 8.8 W _____

LIGHT DISTRIBUTION



LED

lamp 2 x PAR16 _____
 socket GU10 _____
 max. per socket 12.0 W _____
 CRI ≥ 80 _____

ELECTRICAL

100 - 240 V _____
 Class 1 _____

PHYSICAL

diameter 67 mm _____
 height 200 mm _____
 0.36 kg _____

[‘301220L0’] The technical data represent rated values for an ambient temperature of 25°C. The data values for the luminous flux are initially subject to a tolerance of +/- 10%, those for the electrical connected load are initially subject to a tolerance of +/- 10%, and those for the colour temperature are initially subject to a tolerance of +/- 150 K. No liability is assumed for typographical or printing errors. The general terms and conditions of Wever & Ducré BV apply.

301220L0



ELECTRICAL ACCESSORIES

LED LAMPS

Colour

Black Texture

Black Texture

Item number

W901228B3

W901228B5

LAMPS

PAR16 LED Lamp

Type

2700K | >90 CRI | GU10

3000K | >90 CRI | GU10

2700K | >80 CRI | GU10

3000K | >80 CRI | GU10

Colour

White

White

Silver

Silver

Ø·H (MM)

50·60

50·60

50·60

50·60

Item number

901228W3

901228W5

905227S2

905227S4