



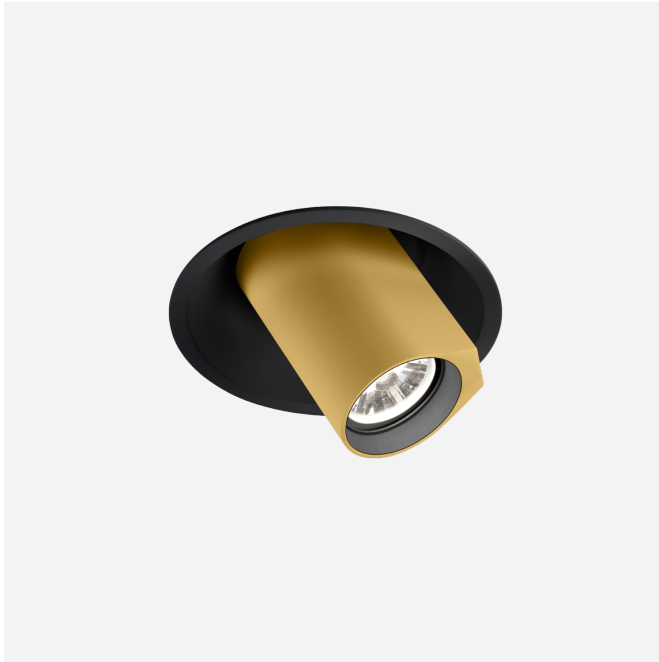
PROJECT _____

TYPE _____

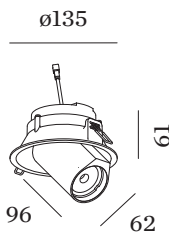
NOTES _____

QUANTITY _____

DATE _____



Round ceiling recessed downlight made from die-cast aluminium; adjustable; surface Black Matt + Gold; wet painted, matt smooth; inner ring black; installation without tools using wire springs; suitable for ceiling thickness of 4-25 mm; recessed depth 75 mm; with COB (Chip on Board) technology for maximum efficiency; light colour 3000 K; binning initial MacAdam ≤ 2 SDCM; CRI ≥ 90; beam angle 15°; 355° rotatable and 60° tiltable; degree of protection IP20; Class 3; IC rated; driver not included; light source replaceable by Wever & Ducré or by a professional with explicit authorization;



GENERAL

Ceiling _____
 Semi-Recessed _____
 tilt max 60 ° _____
 rotation 355 ° _____
 Black Matt + Gold _____
 IP20 _____
 IC rated _____
 Interior _____
 CIE flux code: 89 99 100 100 _____
 100 _____

LED

3000 K _____
 CRI ≥ 90 _____
 L80 / 55000h _____
 initial MacAdam ≤ 2 SDCM _____

OPTICAL

Narrow _____
 beam angle 15° _____

ELECTRICAL

excl. driver _____
 17 V _____
 inset 8.8 6.0 W _____
 Class 3 _____

PHYSICAL

diameter 135 mm _____
 height 96 mm _____
 0.45 kg _____
 wire springs _____

CUTOUT

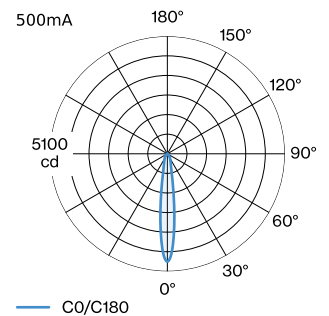
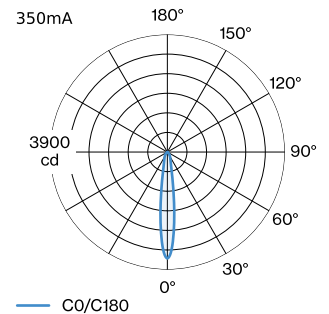
diameter 127 mm _____
 min. ceiling thickness 4 mm _____
 max. ceiling thickness 25 mm _____
 recessed depth 75 mm _____

MEASURED DRIVERS

350mA _____
 605 lm _____
 8.3 W _____

500mA _____
 800 lm _____
 12.2 W _____

LIGHT DISTRIBUTION





CONE DIAGRAM

narrow 15° 350mA			narrow 15° 500mA		
h (m)	E0° (lx)	ø (m)	h (m)	E0° (lx)	ø (m)
1	3530	0.26	1	4690	0.26
2	880	0.51	2	1170	0.51
3	390	0.77	3	520	0.77
4	220	1.03	4	290	1.03
5	140	1.28	5	190	1.28

Maintenance Factor

Operating Time [h]	10.000	20.000	30.000	40.000	50.000
LLMF	0.96	0.92	0.88	0.85	0.81
LSF	1	1	1	1	1

MF $LMF \times RSMF \times LLMF \times LSF$

MF Maintenance Factor

LMF^a Luminaire Maintenance Factor

RSMF^a Room Surface Maintenance Factor

LLMF Lamp Lumens Maintenance Factor

LSF Lamp Survival Factor

^aAccording to "CIE 97, Maintenance of indoor electric lighting systems", 2005, ISBN 3-900-734-34-8. The values must be determined by the planner.

ELECTRICAL ACCESSORIES

Driver

Type	Voltage	L·W·H (MM)	Item number
10W 500mA 11-20V	11-20V	100-43-23	90214405
10W 500mA 13-20V	13-20V	65-39-20	90214406
10W 500mA 3-20V phase-cut dim	3-20V	102-49-29	90224402
10W 500mA 12-21V	12-21V	115-41-25	90224403
20W 500mA 3-40V DALI	3-40V	116-40.5-22	90244604
24W 500mA 6-49V	6-49V	143-43-30	90244701