



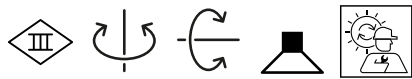
PROJECT

TYPE

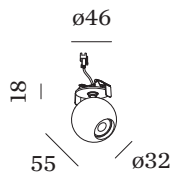
NOTES

QUANTITY

DATE



Ceiling recessed spotlight made from die-cast aluminium with round base; surface White Matt; powder coated, matt texture; installation without tools using wire springs; suitable for ceiling thickness of 4-26 mm; recessed depth 68 mm; with COB (Chip on Board) technology for maximum efficiency; 350 mA; light colour 2700 K; binning initial MacAdam ≤ 2 SDCM; CRI ≥ 90 ; beam angle 31°; spotlight head 350° rotatable and 90° tiltable; degree of protection IP20; Class 3; IC rated; driver not included; optional optical accessories available; light source replaceable by Wever & Ducré or by a professional with explicit authorization;



GENERAL

Ceiling
 Recessed
 tilt max 90 °
 rotation 350 °
 White Matt
 IP20
 IC rated
 Interior
 CIE flux code: 93 98 100 100 100

LED

2700 K
 CRI ≥ 90
 L80 / 50000 h
 initial MacAdam ≤ 2 SDCM

OPTICAL

Standard
 beam angle 31°

ELECTRICAL

excl. driver
 18 V
 inset 5.7 W
 Class 3

PHYSICAL

diameter 60 mm
 height 73 mm
 0.32 kg
 wire springs

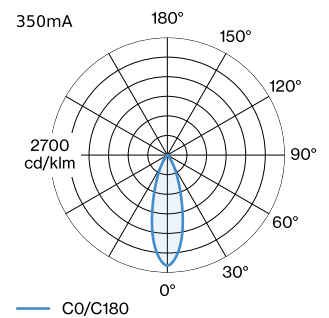
CUTOUT

diameter 40-41 mm
 min. ceiling thickness 4 mm
 max. ceiling thickness 26 mm
 recessed depth 68 mm

MEASURED DRIVER

350mA
 585 lm
 7.9 W

LIGHT DISTRIBUTION



[188161W3] The technical data represent rated values for an ambient temperature of 25°C. The data values for the luminous flux are initially subject to a tolerance of +/- 10%, those for the electrical connected load are initially subject to a tolerance of +/- 10%, and those for the colour temperature are initially subject to a tolerance of +/- 150 K. No liability is assumed for typographical or printing errors. The general terms and conditions of Wever & Ducré BV apply.


CONE DIAGRAM

standard 31° 350mA

h (m)	E0° (lx)	ø (m)
1	1490	0.56
2	370	1.12
3	170	1.69
4	90	2.25
5	60	2.81

Maintenance Factor

Operating Time [h]	10.000	20.000	30.000	40.000	50.000
LLMF	0.96	0.92	0.88	0.85	0.81
LSF	1	1	1	1	1

MF LMF × RSMF × LLMF × LSF

MF Maintenance Factor

 LMF^a Luminaire Maintenance Factor

 RSMF^a Room Surface Maintenance Factor

LLMF Lamp Lumens Maintenance Factor

LSF Lamp Survival Factor

^aAccording to "CIE 97, Maintenance of indoor electric lighting systems", 2005, ISBN 3-900-734-34-8. The values must be determined by the planner.

ELECTRICAL ACCESSORIES
Driver

Type	Voltage	L·W·H (MM)	Item number
6W 350mA 8.6-18V	8.6-18V	67·39·22	90213303
10W 350mA 1-10V dim	14-28V	101.5·51·29.5	90223401
10W 350mA phase-cut dim	12-28V	102·38·21	90223402
14W 350mA 2.5-42V	2.5-42V	145·33·21	90243501
17W 350mA 10-49V DALI	10-49V	108·52·22	90243601

OPTICAL ACCESSORIES
Honeycomb Louver

Type	Colour	Ø (MM)	Item number
BLIEK PETIT CENO LECA PIRRO	Black	29	90051131