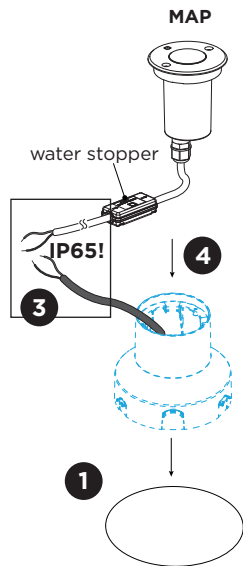


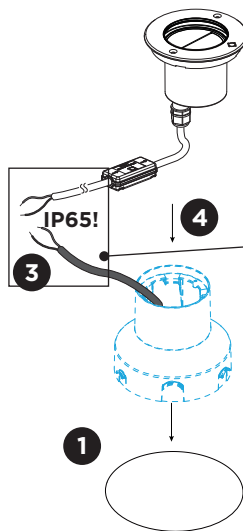
# MAP & MAP ASYM

INSTALLATION INSTRUCTIONS | DECEMBER 2020

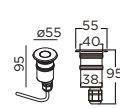
with ground housing



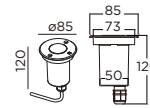
MAP ASYM



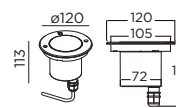
## DIMENSIONS



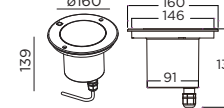
MAP 0.6



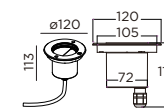
MAP 0.9



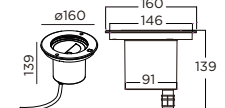
MAP 1.2



MAP 1.6



MAP ASYM 1.2



MAP ASYM 1.6



**Do not cut off or open the water stopper on the cable.**

### Included:

waterproof connectors:

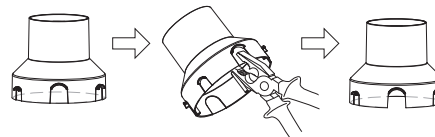


### Optional:

IP68 connection box:

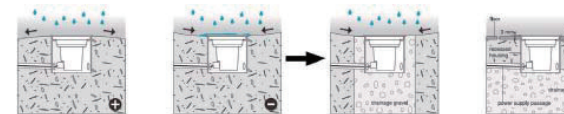
order ref. 73240706 = 2 WAYS 2x1,5 Ø6-8mm

Cut an opening in the ground housing to easier guide the cable sideways.



## MOUNTING INSTRUCTION WITH GROUND HOUSING

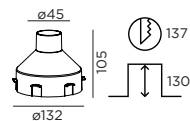
- 1 Make a hole in the ground according to the prescribed dimensions (of the ground housing).
- 2 Drainage: we recommend that all exterior groundspots should be installed with a drainage level even when using a recessed housing.



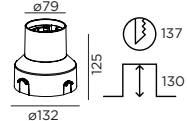
## POWER CONNECTION

- 3 Connect to 220-240V.
- 4 Use screws to attach the MAP / MAP ASYM model 0.9, 1.2 and 1.6 to the ground housing. Model 0.6 can be pushed in and is self-supporting.

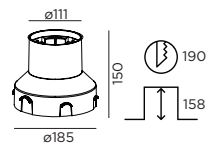
optional ground housing



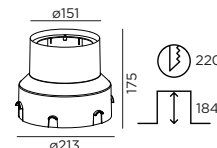
90012201  
for MAP 0.6



90012202  
for MAP 0.9



90012203  
for MAP 1.2  
for MAP ASYM 1.2



90012204  
for MAP 1.6  
for MAP ASYM 1.6



**Caution, risk of electric shock**

The light source of the integrated LED is not replaceable; when the light source reaches its end of life the whole luminaire needs to be replaced.



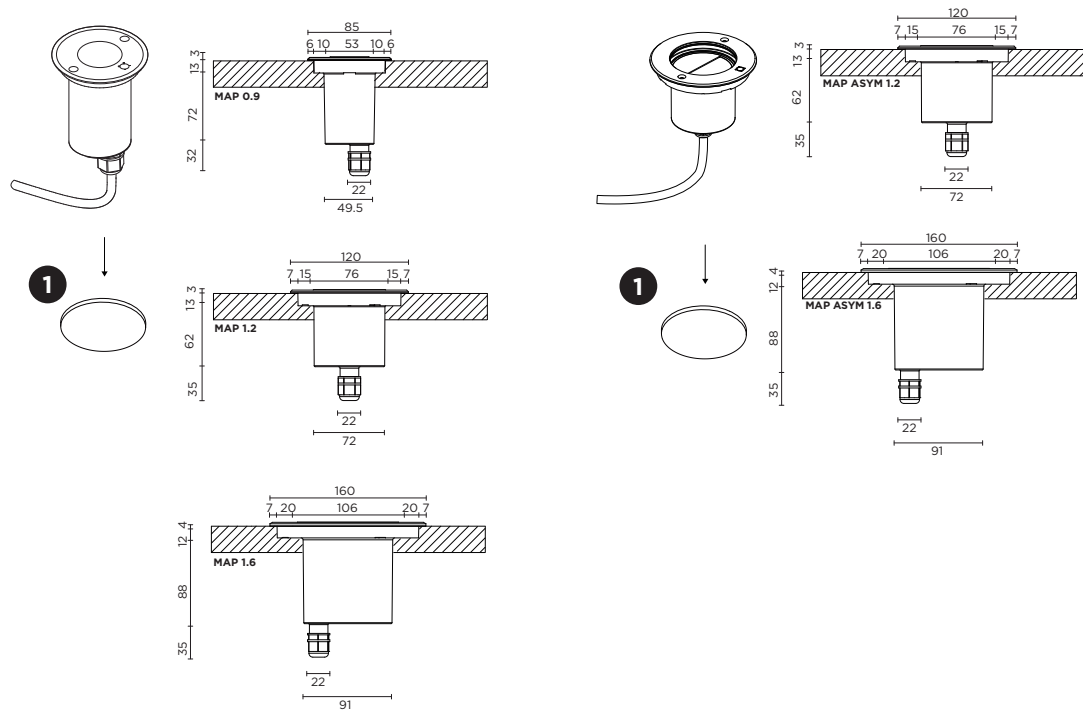
The MAP 0.6 has an auto-recovery thermal fuse in order to avoid an early product failure in some extreme conditions. If the internal components reach a temperature of 85°C, the product will switch off and then restart when cooled down.

# MAP & MAP ASYM

INSTALLATION INSTRUCTIONS | DECEMBER 2020

## without ground housing

A. Attached to the floor (or wall, for wall mounting).

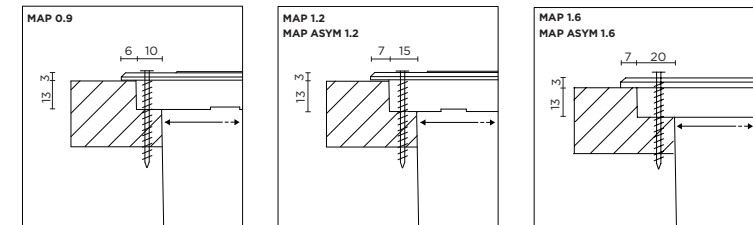


## MOUNTING INSTRUCTION WITHOUT GROUND HOUSING

A. Attached to the floor (or wall, for wall mounting).

- 4** Use the screws (included) to attach the luminaire to the floor or wall. Make sure to measure correctly so that you can screw into a hard material.

This type of installation is not possible for MAP 0.6.



**Caution, risk of electric shock**

The light source of the integrated LED is not replaceable; when the light source reaches its end of life the whole luminaire needs to be replaced.



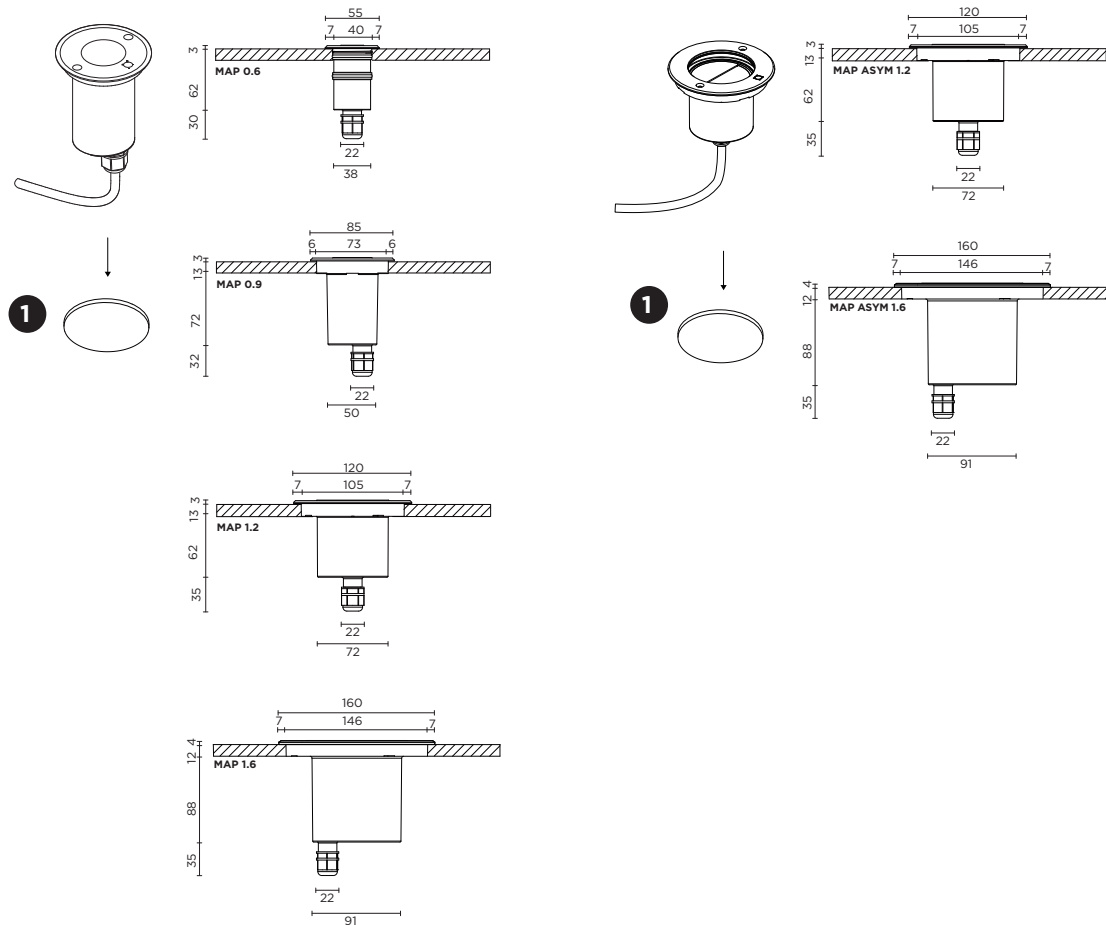
The MAP 0.6 has an auto-recovery thermal fuse in order to avoid an early product failure in some extreme conditions. If the internal components reach a temperature of 85°C, the product will switch off and then restart when cooled down.

# MAP & MAP ASYM

INSTALLATION INSTRUCTIONS | DECEMBER 2020

## without ground housing

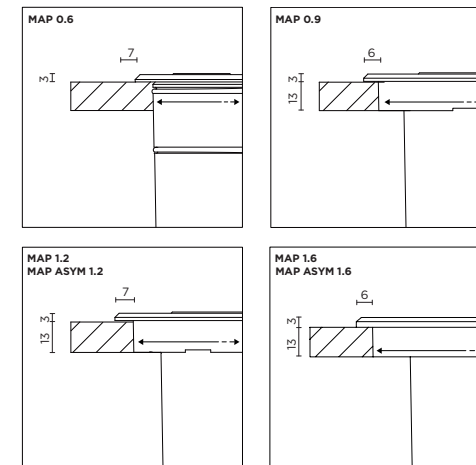
B. Rests on the stainless steel borders of the fixture.



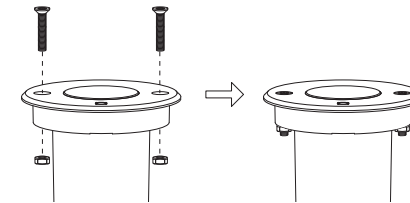
## MOUNTING INSTRUCTION WITHOUT GROUND HOUSING

B. Rests on the stainless steel borders of the fixture.

4 Place the luminaire into the hole. No tool are needed to fix the luminaire as it will rest on the stainless steel frame.



Note:  
the bolts can be  
used for filling  
the screwholes.



 **Caution, risk of electric shock**

The light source of the integrated LED is not replaceable; when the light source reaches its end of life the whole luminaire needs to be replaced.

 85

The MAP 0.6 has an auto-recovery thermal fuse in order to avoid an early product failure in some extreme conditions. If the internal components reach a temperature of 85°C, the product will switch off and then restart when cooled down.